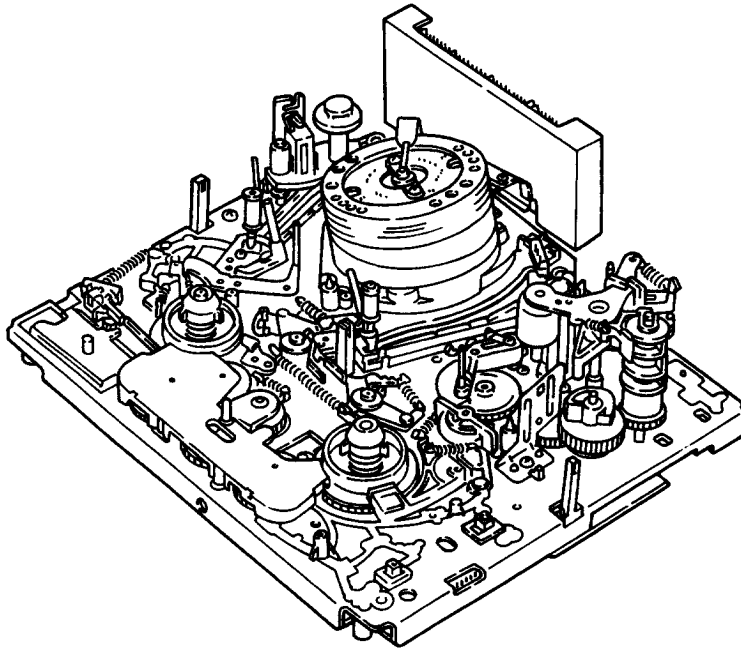
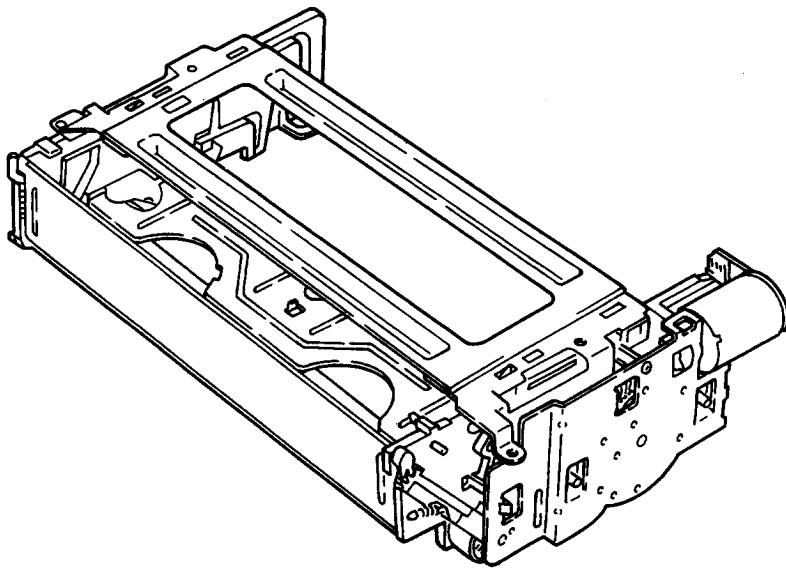


# VHS MECHANICAL ADJUSTMENT MANUAL II

- Please use in conjunction with the SERVICE MANUAL.
- This VHS MECHANICAL ADJUSTMENT MANUAL II can be used for NTSC system and PAL system.



VHS VIDEO RECORDER  
**SONY**®



## TABLE OF CONTENTS

<u>Section</u>	<u>Title</u>	<u>Page</u>	<u>Section</u>	<u>Title</u>	<u>Page</u>
<b>1. PREPARATIONS FOR CHECKS, ADJUSTMENTS AND REPLACEMENT OF THE DECK MECHANISM</b>					
1-1.	Loading and unloading video cassettes with the power off .....	3	3-13.	S-guide and T-guide roller ass'y's .....	14
1-1-1.	Manual loading and unloading .....	3	3-14.	Reel lock release and REW gear .....	14
1-1-2.	Loading and unloading using a separate power source .....	3	3-15.	Tension regulator arm ass'y, tension regulator band ass'y .....	15
1-2.	Threading and unthreading with the power off .....	3	3-16.	S take-up ass'y .....	15
1-2-1.	Manual threading and unthreading .....	3	3-17.	S-reel ass'y .....	16
1-2-2.	Threading and unthreading using a separate power source .....	3	3-18.	T-reel ass'y .....	16
1-3.	To complete threading with the FL cassette controller removed .....	4	3-19.	Pendulum arm ass'y .....	16
<b>2. PERIODICAL INSPECTION AND REPLACEMENT</b>			3-20.	Relay gear .....	17
2-1.	Cleaning the rotary head disc ass'y .....	5	3-21.	Adjuster arm ass'y .....	17
2-2.	Cleaning the tape transport system .....	5	3-22.	CAP brake ass'y .....	17
2-3.	Cleaning the drive system .....	5	3-23.	Capstan motor .....	18
2-4.	Periodic Maintenance .....	6	3-24.	Rotary switch .....	18
2-5.	Service Tools and Jigs .....	7	3-25.	RKB cam gear .....	19
<b>3. REPLACEMENT OF MAJOR COMPONENT PARTS OF THE DECK MECHANISM</b>			3-26.	Sub-chassis ass'y .....	19
3-1.	FL mechanism .....	8	3-27.	Pendulum slide plate, pendulum arm .....	20
3-1-1.	FL door .....	8	3-28.	The limiter arm and limiter slide plate .....	20
3-1-2.	Erasure protection lever .....	8	3-29.	Cam motor .....	20
3-1-3.	Gear cover ass'y .....	8	3-30.	Cam gear .....	20
3-1-4.	Loading motor, worm gear (FL), worm wheel (FL), worm bearing .....	8	3-31.	Tension regulator arm, S take-up arm .....	21
3-1-5.	Door OPEN/CLOSE arm .....	9	3-32.	Mode slide plate, RVS relay gear .....	21
3-2.	TS ass'y and guide roller ass'y No.2 .....	9	3-33.	Brake arm, brake slide plate .....	21
3-3.	ACE ass'y .....	10	3-34.	Right shuttle, right loading gear ass'y .....	22
3-4.	Drum ass'y .....	10	3-35.	Left shuttle ass'y, left loading gear ass'y .....	22
3-5.	Drum base ass'y .....	10	3-36.	C-roller arm ass'y, C-roller release lever .....	23
3-6.	Pinch roller ass'y and elevator cam .....	11	<b>4. ADJUSTMENT</b>		
3-7.	Cam gear, press and transmission gear .....	11	4-1.	Tape path adjustment	
3-8.	RVS arm ass'y and RVS cam gear .....	12	4-1-1.	Tension regulator position/tension adjustment	24
3-9.	Guide No.7 .....	12	4-1-2.	Height adjustment of the guide roller No.2	25
3-10.	S-brake ass'y, T-brake ass'y .....	13	4-1-3.	Height adjustment of guide roller No. 7 and the RVS arm .....	25
3-11.	T-soft brake ass'y, REV brake arm .....	13	4-1-4.	Height adjustment of guide rollers No.3 and No.6 .....	26
3-12.	S-soft brake arm ass'y .....	13	4-1-5.	ACE head ass'y adjustment (rough adjustment) .....	26
			4-1-6.	ACE head assembly adjustment (precision adjustment) .....	27
			4-1-7.	X-value adjustment .....	27
			4-1-8.	Adjustments after replacing the drum (video head) .....	29
			4-1-9.	Checking the tension and torque .....	31

# 1. PREPARATIONS FOR CHECKS, ADJUSTMENTS AND REPLACEMENT OF THE DECK MECHANISM

**Note:** Refer to "Replacement Method" in the Service Guide for instructions on replacing the cabinet and PC boards. DO not perform cassette loading or threading with the VCR positioned upside-down.

## 1-1. LOADING AND UNLOADING VIDEO CASSETTES WITH THE POWER OFF. (Fig. 1-1.)

### 1-1-1. Manual loading and unloading

- 1) Rotate the loading motor in the direction of arrow **A** until loading is completed.  
(When unloading, rotate the loading motor in the direction of arrow **B**.)

### 1-1-2. Loading and unloading using a separate power source.

- 1) Cassette loading is performed by applying approx. 10V (300 mA) to the power terminal of the loading motor using a stabilized DC power source.  
(When unloading, apply the same voltage to the opposite polarity of the power terminal.)

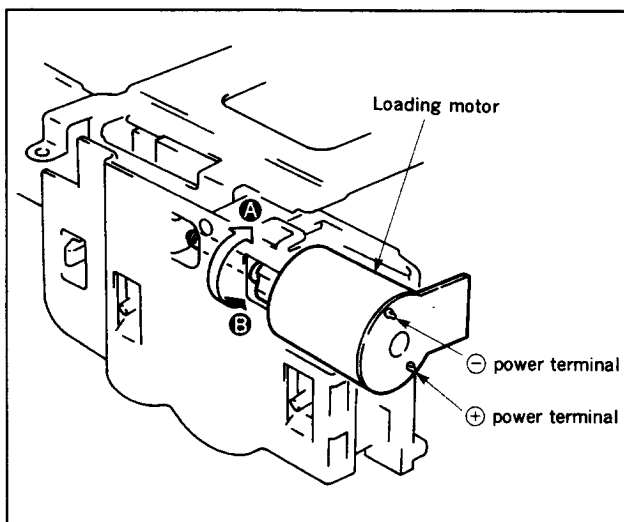


Fig. 1-1.

## 1-2. THREADING AND UNTHREADING WITH THE POWER OFF. (Fig. 1-2)

### 1-2-1. Manual threading and unthreading

- 1) Rotate the cam motor in the direction of arrow **A** until threading is completed.  
(When unthreading, rotate the cam motor in the direction of arrow **B**.)

### 1-2-2. Threading and unthreading using a separate power source.

- 1) Threading is performed by applying approx. 10V (500 mA) to the power terminal for the cam motor using a DC stabilized power source.  
(When unthreading, apply the same voltage to the opposite polarity of the power terminal.)

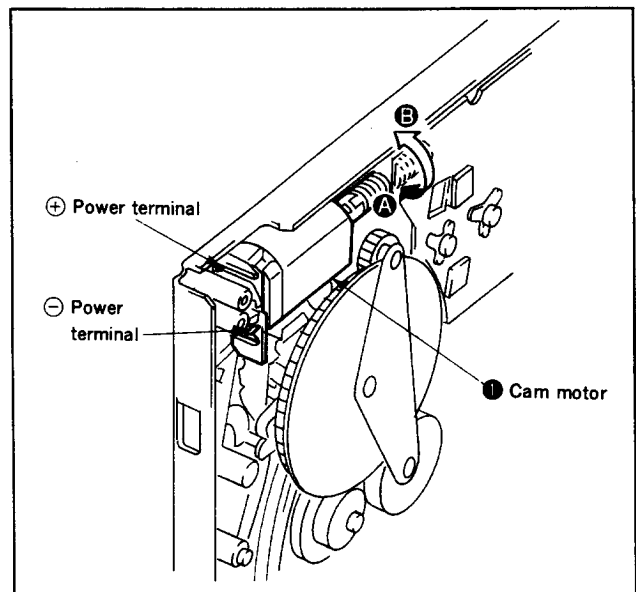


Fig. 1-2.

**1-3. TO COMPLETE THREADING WITH THE FL CASSETTE CONTROLLER REMOVED. (Fig. 1-3)**

- 1) Unplug the AC power cord from the power outlet.
- 2) Shield the supply, take-up sensors and the LED with black-masking tape.
- 3) Hold the cassette down switch depressed by taping it, etc.
- 4) Plug the AC power cord into a power outlet.  
(At this time, the power should turn on and the tape rewinds for approx. 10 seconds, and the power turns off.)
- 5) Turn the power switch ON so that the mechanism is ready for loading.

**Note :** In this condition, the VTR is ready to operate in the different operating modes, including the record mode.  
At this time, rewind the tape for at least 15 seconds, then perform fast forward (FF).

**Note :** Following the above, be sure to reset the mechanism to the previous state as outlined below.

- 1) Remove the black-masking tape shielding the supply and take-up sensors, the LED and the tape holding cassette down switch.
- 2) Unplug the AC power cord from the power outlet to reset the system control microprocessor.

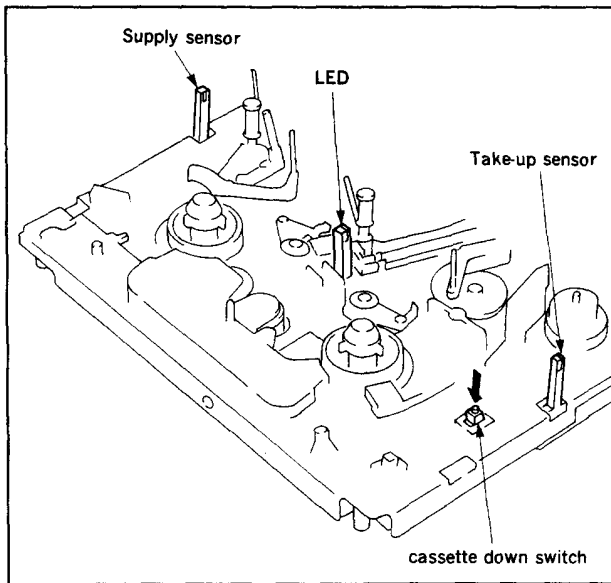


Fig. 1-3.

## 2. PERIODICAL INSPECTION AND REPLACEMENT

We recommend performing the following periodical inspections and maintenance in order to ensure that the unit operates in top condition and offers full performance, as well as realizes a long life of the mechanism and tapes.

\* Be sure to perform the following maintenance procedures after the unit is repaired (regardless how long the unit has been used.)

### 2-1. CLEANING THE ROTARY HEAD DISC ASS'Y

- 1) Press Attach a deer skin cloth (Jig. Ref. No. J-7) soaked in cleaning solution (Jig. Ref. No. J-5) lightly to the rotary drum ass'y, then turn the rotary head disc slowly by hand to clean the surface of the rotary drum ass'y. (At this time, do not turn on the power motor to rotate the rotary head disc for cleaning.)
- 2) Also, do not wipe the drum ass'y by moving the deer skin cloth vertically across the head as this could damage of the tip of the head.

### 2-2. CLEANING THE TAPE TRANSPORT SYSTEM

- 1) Clean the tape transport surfaces (tape guide, a drum ass'y surfaces, capstan, pinch roller, etc.) with a deer skin cloth soaked in an approved in the recommended cleaning solution.

### 2-3. CLEANING THE DRIVE SYSTEM

- 1) Wipe the drive mechanism with an ordinary cloth soaked in an approved cleaning solution.

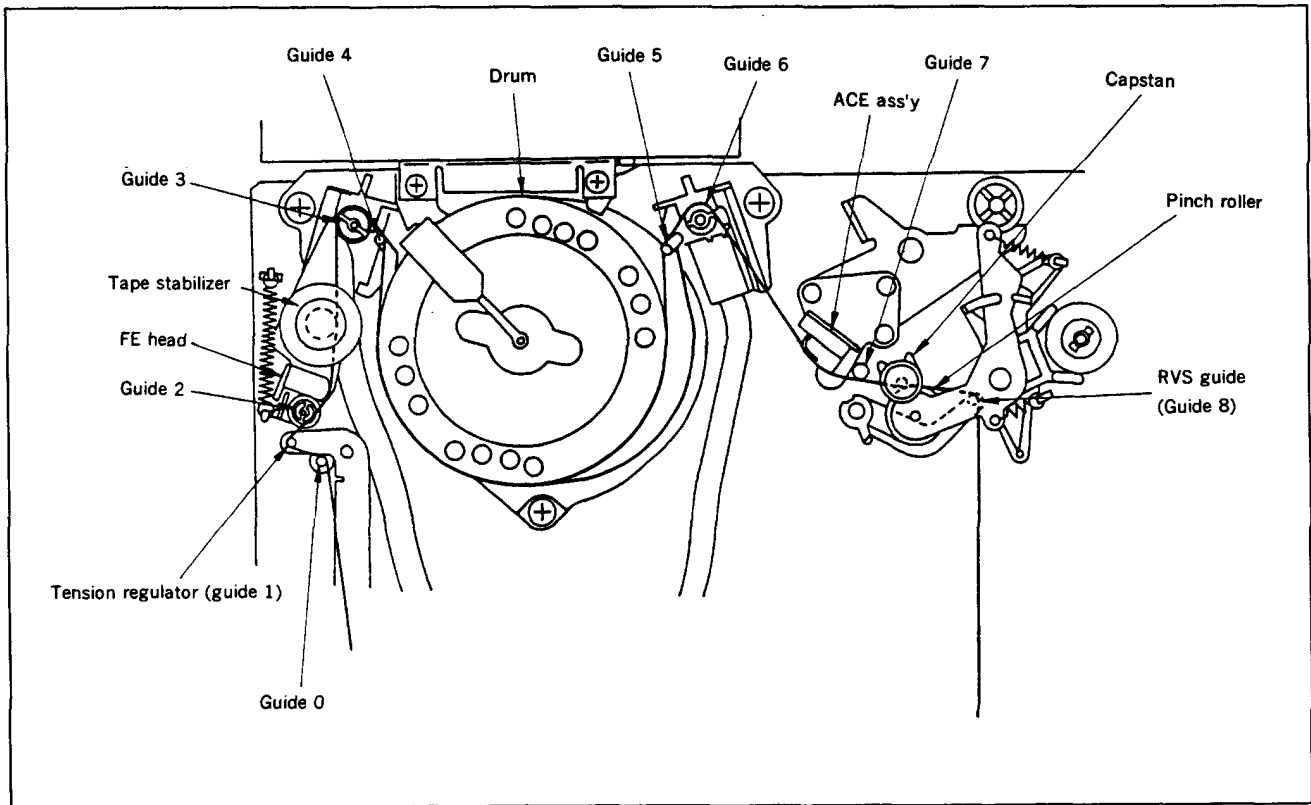


Fig. 2-1.

## 2-4. PERIODIC MAINTENANCE

Location of Maintenance and Check		Replacement Part No.	User Hours										Remarks	
			500	1,000	1,500	2,000	2,500	3,000	3,500	4,000	4,500	5,000		
Performance Check	Clean tape running surfaces	—	○	○	○	○	○	○	○	○	○	○	○	Always perform after repair.
	Clean, degauss ACE ass'y	—	○	○	○	○	○	○	○	○	○	○	○	
	Clean, degauss video disc ass'y	—	○	○	○	○	○	○	○	○	○	○	○	
Driving System	Reel belt	3-736-013-01	☆	☆	☆	☆	☆	☆	☆	☆	☆	☆	☆	Always perform after repair.
Tape Running System	Abnormal noise	—	☆	☆	☆	☆	☆	☆	☆	☆	☆	☆	☆	Adjust or replace source of abnormal noise.
	Back tension measurement	—	-	☆	-	☆	-	☆	-	☆	-	☆	☆	Check according to 4-1-1. Spec : 24 — 34g/cm (Measured with torque cassette)
	Brake system check	—	-	☆	-	☆	-	☆	-	☆	-	☆	☆	
	REC/PB function check	—	☆	☆	☆	☆	☆	☆	☆	☆	☆	☆	☆	Always perform after repair.
	Forward torque measurement		☆	☆	☆	☆	☆	☆	☆	☆	☆	☆	☆	Spec : 80 — 140 g·cm

○ Cleaning ☆ Check

**Note :** Refer to the above items for part replacement when performing an overhaul.

## 2-5. SERVICE TOOLS AND JIGS

Ref. No.	Description	Part No.	Printing on jig	Remarks
J-1	Master plane	H-7099-279-H		
J-2	Reel disc height jig	H-7099-038-H		
J-3	Torque gauge adapter	H-7099-035-H		
J-4	Torque gauge	H-7099-039-H		
J-5	0.93mm Allen wrench	H-7099-202-H		
J-6	NTSC torque cassette VHT-063S PAL torque cassette	J-6082-011-A J-6082-066-A		For rewind torque and back tension
	NTSC torque cassette VHT-404S PAL torque cassette	J-6082-012-A J-6082-067-A		For cue/review
J-7	NTSC alignment tape JVC-MH-1 PAL alignment tape JVC-MH-2	H-7099-046-H H-7099-052-H		
	NTSC Hi-Fi alignment tape PAL Hi-Fi alignment tape	H-7099-153-H H-7099-175-H		
J-8	Cleaning fluid	Y-2031-001-0	—	
J-9	Chamois cloth	2-034-697-00	—	Cleaning
J-10	Head degausser	Widely available	—	Video, audio head degaussing
J-11	Small adjustment mirror (with handle)	J-6080-029-A	SL-5052	For tape path and tape running adjustment and check
	Small adjustment mirror (mirror only)	J-6080-030-1		

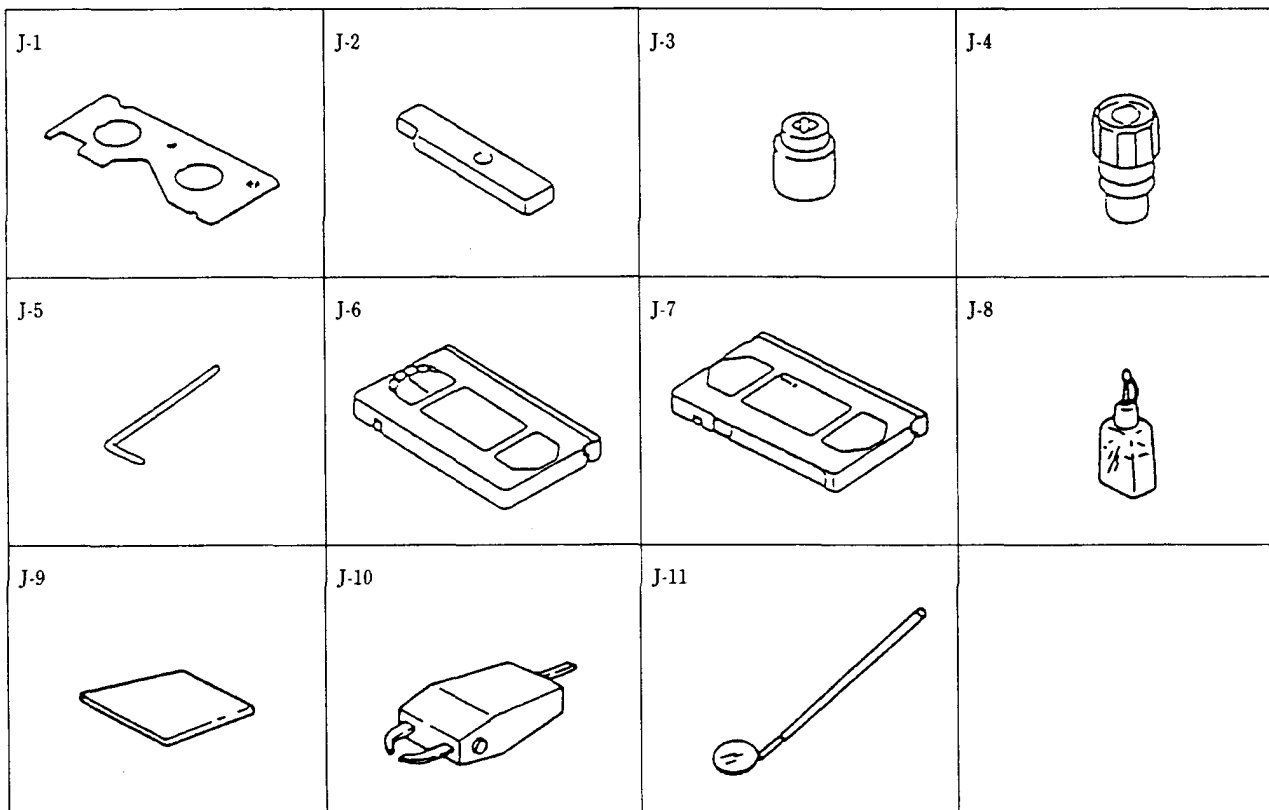


Fig. 2-2. Service tools and jigs

### 3. REPLACEMENT OF MAJOR COMPONENT PARTS OF THE DECK MECHANISM

- Note:**
- Refer to "Replacement Method" in the Service Guide for replacing the cabinet and PC boards.
  - When mounting parts, reverse the replacement procedure while referring to "Precautions on Mounting Parts".

- After grease coated parts such as gears are placed, re-grease the replaced part.
- Do not touch the guides (taped surface) and brush shoe directly with your fingers or grease them, etc.
- Gears must be mounted so that they mesh with each other.

#### 3-1. FL MECHANISM

##### 3-1-1. FL door (Fig. 3-1.)

- 1) Press the claw ① in the direction of arrow A, then remove the FL door ② in the direction of arrow B.

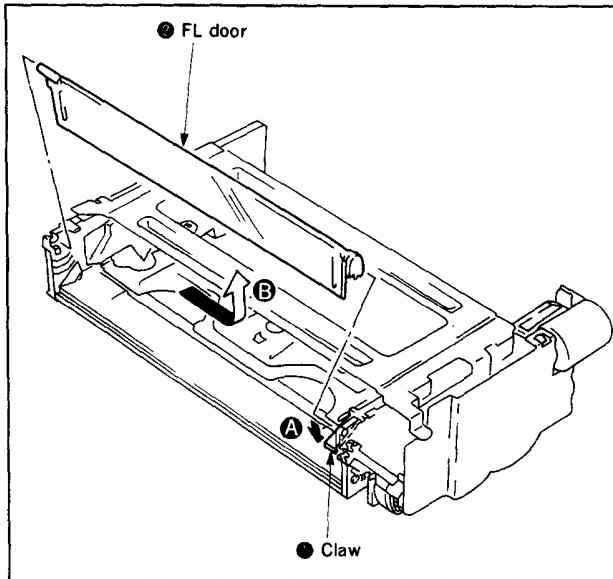


Fig. 3-1.

##### 3-1-2. Erasure protection lever (Fig. 3-2)

- 1) Remove the spring ①.
- 2) Disengage the claw ②, then slide the erasure protection lever ③ in the direction of arrow A.
- 3) Disengage the erasure protection lever ③ in the direction of arrow B.

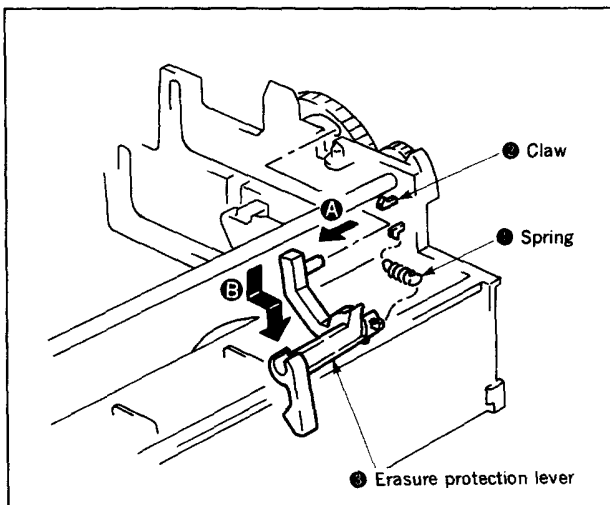


Fig. 3-2.

##### 3-1-3. Gear cover ass'y (Fig. 3-3)

- 1) Disengage the four claws ①, then remove the gear cover ass'y ②.

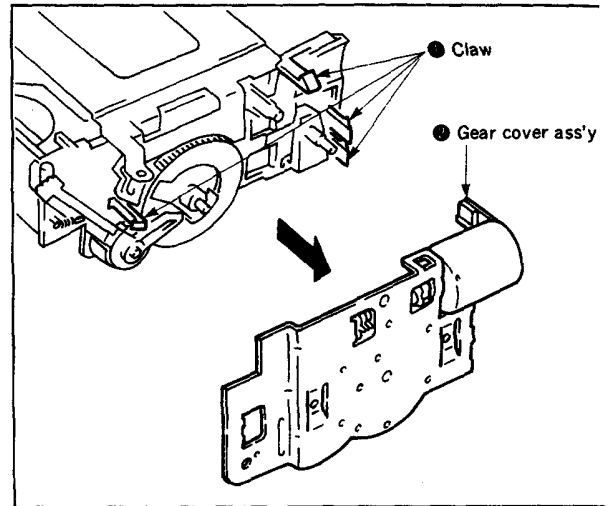


Fig. 3-3.

##### 3-1-4. Loading motor, worm gear (FL), worm wheel (FL), worm bearing (Fig. 3-4)

- 1) Remove washer 3 ①, then pull out the worm wheel (FL) ②.
- 2) Remove the two screws ③, then remove the loading motor ④.
- 3) Remove the worm gear (FL) ⑤ and worm bearing ⑥.

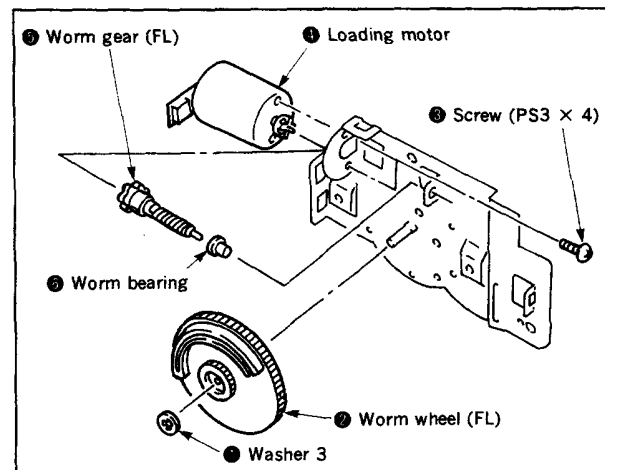


Fig. 3-4.



### 3-1-5. Door OPEN/CLOSE arm (Fig. 3-5)

- 1) Remove the spring ❶.
- 2) Pull out the door OPEN/CLOSE arm ❷.

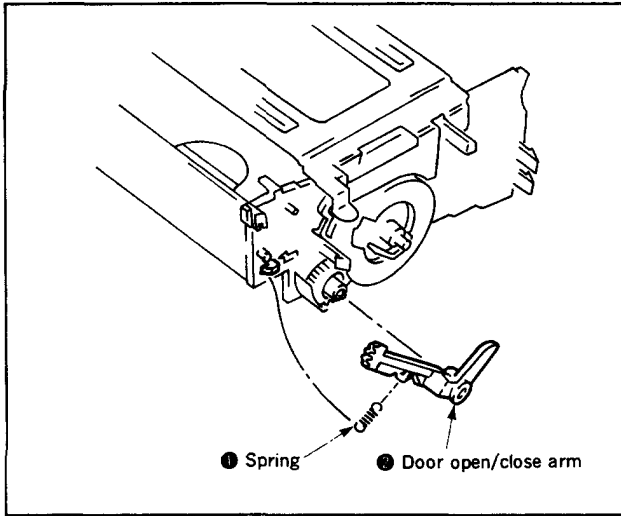


Fig. 3-5.

#### [Precautions on remounting] (Figs. 3-6 and 3-7.)

- When mounting the gear cover ass'y, match up the two holes on the gear cover ass'y with the two holes on the worm wheel (FL) and then with the hole on the right drive arm ass'y.
- Mesh the FL door and the door OPEN/CLOSE arm together as shown in A section in the figure below.
- The erasure protection lever shaft must fit into the groove on the left drive arm ass'y.

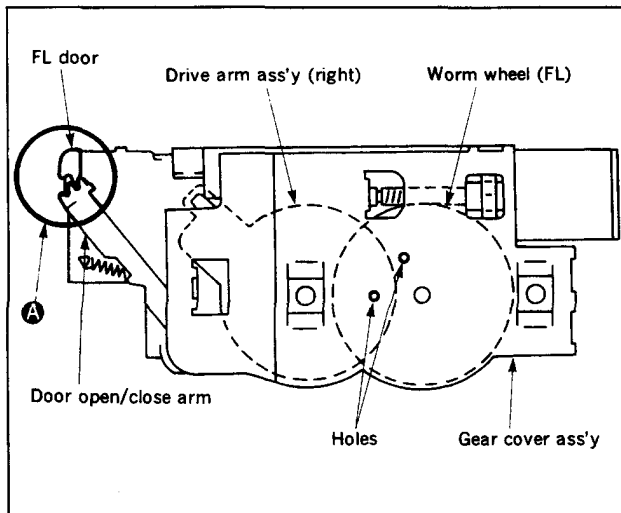


Fig. 3-6.

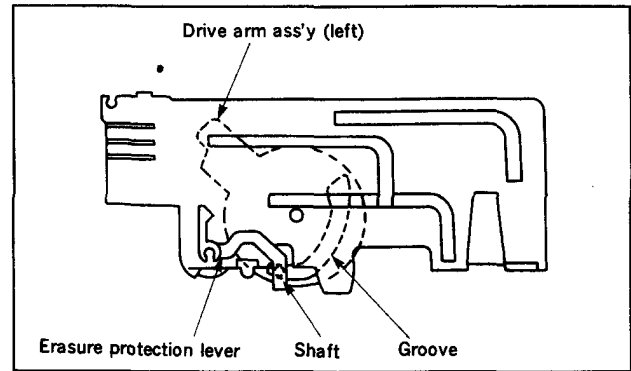


Fig. 3-7.

### 3-2. TS ASS'Y AND GUIDE ROLLER ASS'Y No. 2 (Fig. 3-8)

- 1) Remove the spring ❶.
- 2) Remove the TS ass'y ❷ in the direction of arrow A.
- 3) Turn guide roller ass'y No. 2 ❸ in the direction of arrow B and pull it out.

#### [Precautions on remounting]

- Clean the surface of guide roller No. 2 ❸ where the tape is attached.
- Apply lubricant over the section shown in Figure A below.

#### [Adjustment after replacement]

- Perform tape path adjustments as described in 4-1.

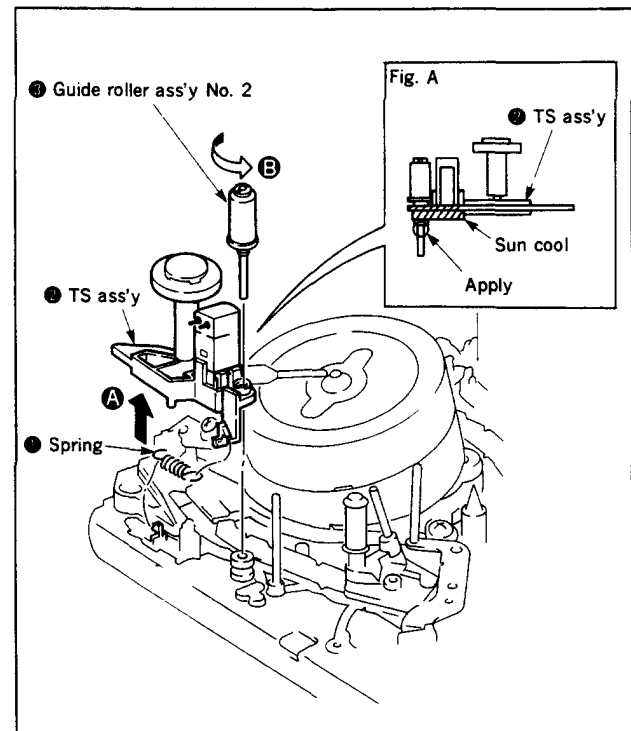


Fig. 3-8.

### 3-3. ACE ASS'Y (Fig. 3-9)

- 1) Slide the torsion coil spring ① in the direction of the arrow.
- 2) Remove the nylon nut N3 ②, then pull out the ACE ass'y ③.
- 3) Remove the ACE adjuster screw ④.

#### [Precautions on remounting]

- Clean the surface of the ACE ass'y ③ where the tape is attached.
- Hook both ends of the torsion coil spring ① to the ass'y as shown in Figure A below.
- Adjust the ACE adjuster screw ④ to the height shown in Figure A.

#### [Adjustment after replacement]

- Perform tape path adjustments as described in 4-1.

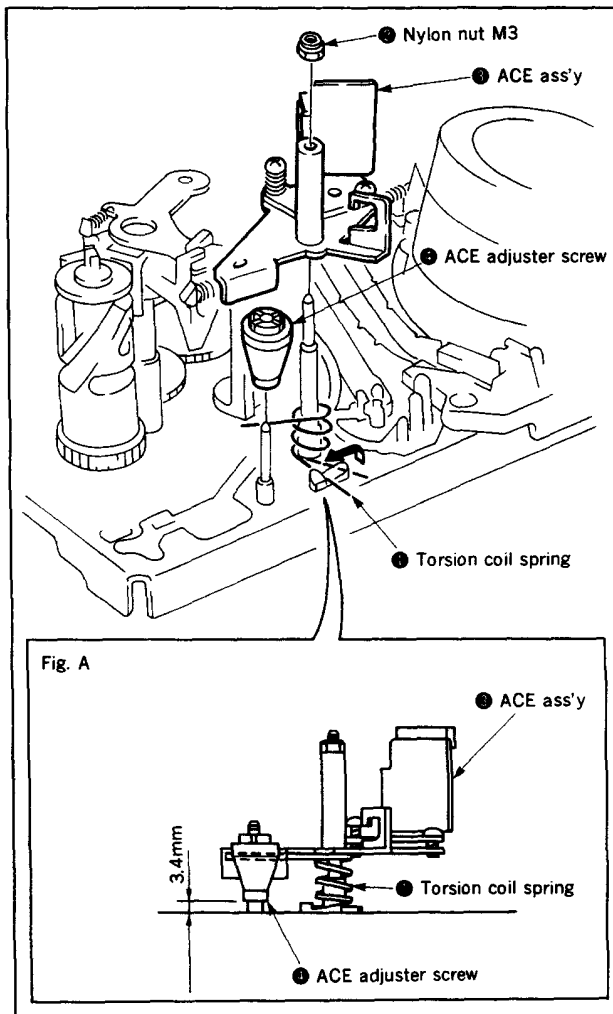


Fig. 3-9.

### 3-4. DRUM ASS'Y (Fig. 3-10)

- 1) Remove the three screws ①, then remove the drum ass'y ②.

#### [Precautions on remounting]

- Do not touch the head tips ③ and the ground plate directly with your fingers or tools.
- Clean the surface of the drum ass'y ② where a tape attached.
- The stopper ⑤ must be attached at the point shown in the figure below.
- Screws must be fastened with a  $6\text{kg}\cdot\text{cm}$  ( $\pm 1\text{kg}\cdot\text{cm}$ ) screw fastening torque. (The screws can be mounted in any order.)

#### [Adjustment after replacement]

- Perform tape path adjustments as described in 4-1.

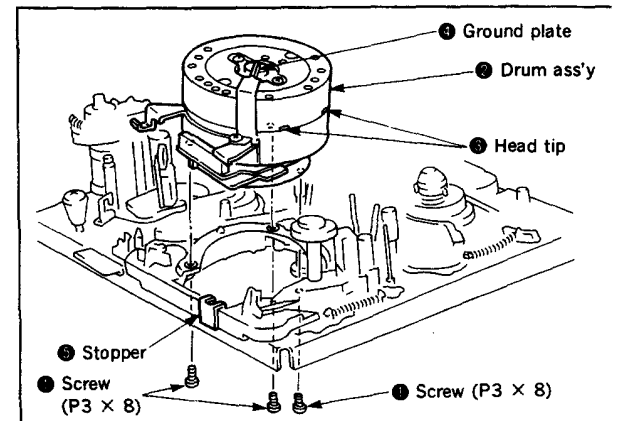


Fig. 3-10.

### 3-5. DRUM BASE ASS'Y (Fig. 3-11)

- 1) Remove the drum. (Refer to 3-4.)
- 2) Remove the three screws ①, then remove the drum base ass'y ②.

#### [Precautions on remounting]

- The spacer ③ for the drum base must be mounted in its previous position as shown in the figure below. (Note that some units do not feature the spacer ③.)
- Fastening torque must be  $10\text{kg}\cdot\text{cm}$  ( $\pm 1\text{kg}\cdot\text{cm}$ )
- The screws must be mounted in order of (a), (b) and (c).

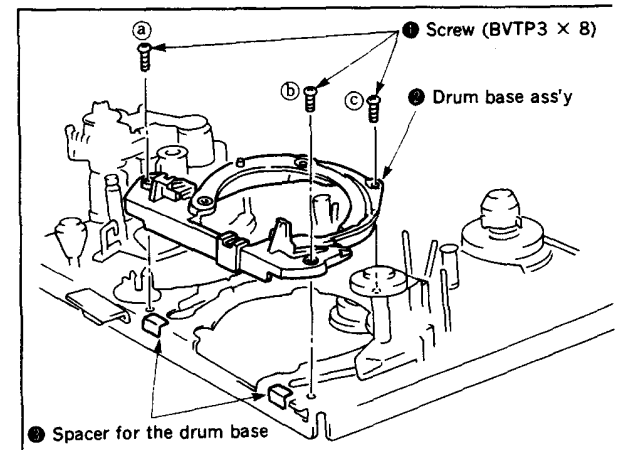


Fig. 3-11.

### 3-6. PINCH ROLLER ASS'Y AND ELEVATOR CAM (Fig. 3-12)

- 1) Remove the two claws ①, then pull out the stopper ②.
- 2) Pull out the pinch roller ass'y ③.
- 3) Pull out the elevator cam ④.

#### [Precautions on remounting]

- Clean the surface of the pinch roller ass'y ③ where the tape is attached.
- Match up the □ marks on the elevator cam ④ and cam gear, press ⑤.

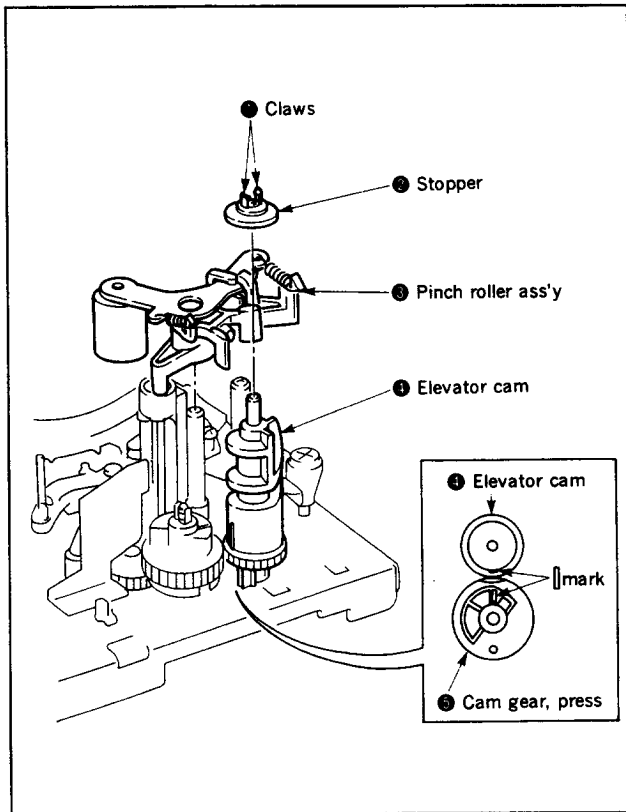


Fig. 3-12.

### 3-7. CAM GEAR, PRESS AND TRANSMISSION GEAR (Fig. 3-13)

- 1) Remove the pinch roller ass'y. (Refer to 3-6.)
- 2) Remove the screw ①, then remove the lid release plate ②.
- 3) Remove the two claws ③, then pull out the cam gear, press ④.
- 4) Remove the washer 2 ⑤, then pull out the transmission gear ⑥.

#### [Precautions on remounting]

- Check the top and bottom of the transmission gear ⑥.
- Match up the hole ⑦ on the chassis with the hole ⑧ on the cam gear, press ④.
- Match up the □ mark on the cam gear, press ④ with the □ mark on the alleviator cam ⑨.

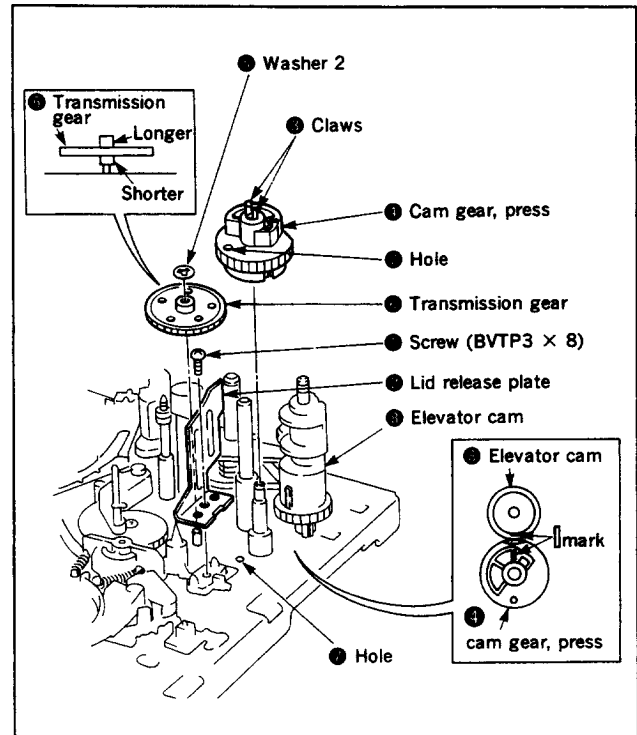


Fig. 3-13.

### 3-8. RVS ARM ASS'Y AND RVS CAM GEAR (Fig. 3-14)

- 1) Remove the nylon nut M2 ① and plastic washer ②.
- 2) Disengage the claw ③, then pull out the RVS arm ass'y ④.
- 3) Remove washer 2 ⑤, then pull out the RVS cam gear ⑥.

#### [Precautions on remounting]

- The holes ⑦ in the chassis and in the RVS cam gear ⑥ must match up. Also, make sure to match up the holes ⑧ on the cam gear, press ③ and the chassis.
- The spring ⑩ must be hooked as shown in Fig. A below.
- Clean the surface of the RVS arm ass'y ④ where a tape is attached.
- Apply 1/2 drop of lubricant to the shaft ⑨.

#### [Adjustment after replacement]

- Perform tape path adjustments as described in 4-1.

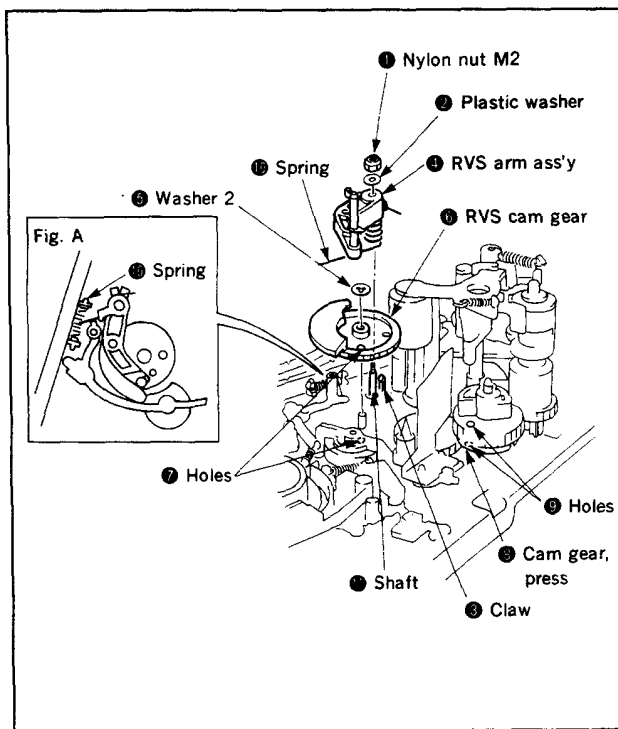


Fig. 3-14.

### 3-9. GUIDE No. 7 (Fig. 3-15)

- 1) Remove the nylon nut M3 ①.
- 2) Pull out guide flange No. 7 ②, guide sleeve No. 7 ③, guide flange No. 7 ④ and compression coil spring ⑤ in the given order.

#### [Precautions on remounting]

- Clean the surface of the guide sleeve No. 7 ③ where the tape is attached.
- Adjust the height of guide No. 7 to the height shown in Fig. A below.

#### [Adjustment after replacement]

- Perform tape path adjustments as described in 4-1.

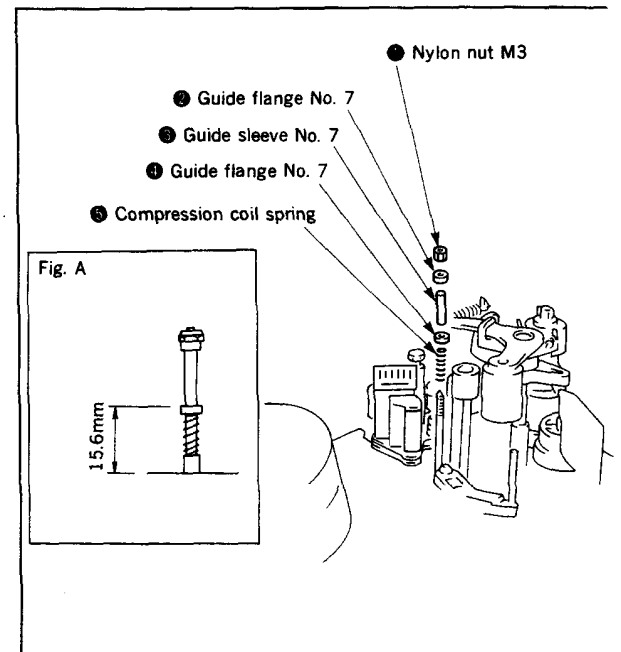


Fig. 3-15.

### 3-10. S-BRAKE ASS'Y, T-BRAKE ASS'Y (Fig. 3-16)

- 1) Remove the spring ①.
- 2) Disengage the claw ②, then pull out the S-brake ass'y ③.
- 3) Disengage the claw ④, then pull out the T-brake ass'y ⑤.

#### [Precautions on remounting]

- Do not touch the brake shoes for the respective S-brake ③ and T-brake ⑤ ass'y's directly with your fingers.
- Do not hold on to the S-brake ③ and T-brake ⑤ ass'y's by the arms when inserting them.
- The T-brake ass'y ⑤ must be positioned above the S-brake ass'y ③ as shown in Fig. A below.

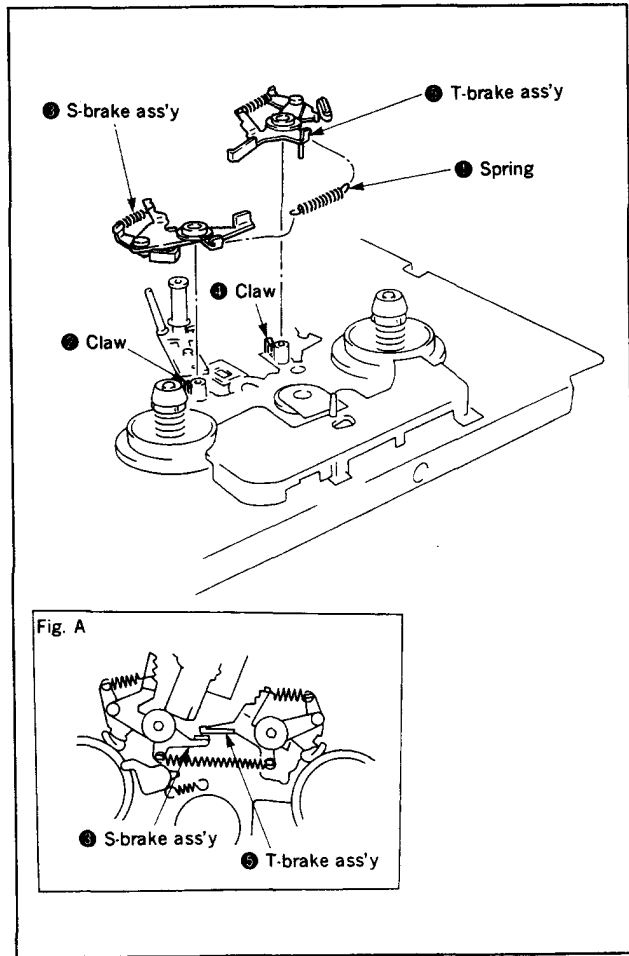


Fig. 3-16.

### 3-11. T-SOFT BRAKE ASS'Y REV BRAKE ARM (Fig. 3-17)

- 1) Remove the end of the spring ① from the REV brake arm ②.
- 2) Remove the end of the spring ③ from the chassis.
- 3) Disengage the claw ④, then pull out the T-soft brake ass'y ⑤.
- 4) Disengage the claw ⑥, then pull out the REV brake arm ②.

#### [Precautions on remounting]

- Do not touch the brake shoe of the T-soft brake ass'y ⑤ directly with your fingers.

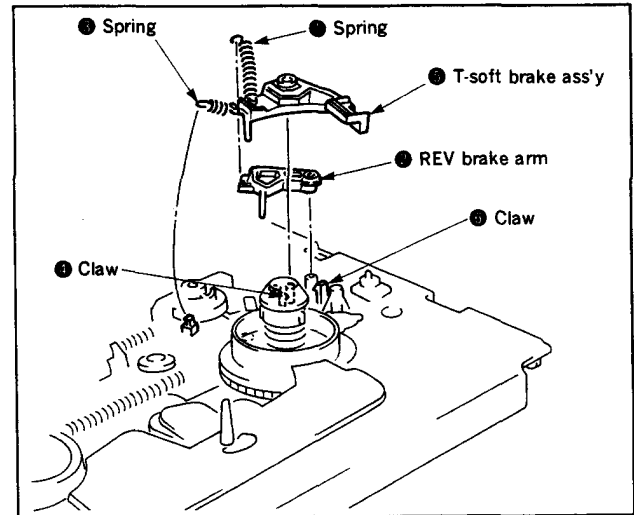


Fig. 3-17.

### 3-12. S-SOFT BRAKE ARM ASS'Y (Fig. 3-18)

- 1) Unhook the end of the spring ① from the chassis.
- 2) Disengage the claw ②, then pull out the S-soft brake arm ass'y ③.

#### [Precautions on remounting]

- The S-soft brake arm ass'y must not clamp down the tension regulator band ass'y ④ nor be positioned below the tension regulator band ④.

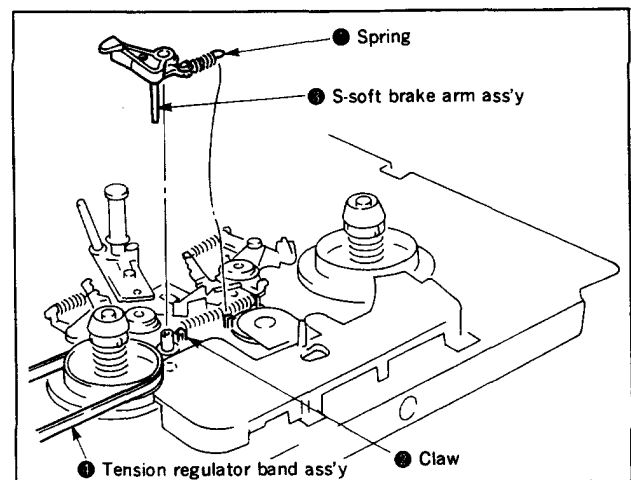


Fig. 3-18.

**3-13. S-GUIDE AND T-GUIDE ROLLER ASSY'S  
(Fig. 3-19)**

- 1) Loosen the setscrew ①, then remove the S-guide roller ass'y ② by turning it in the direction of the arrow A.
- 2) Loosen the setscrew ③, then remove the T-guide roller ass'y ④ by turning it in the direction of arrow B.

**[Precautions on remounting]**

- Clean the surfaces of the S-guide roller ② and T-guide roller ass'y's ④ where a tape is attached.

**[Adjustment after replacement]**

- Perform tape path adjustments as described in 4-1.

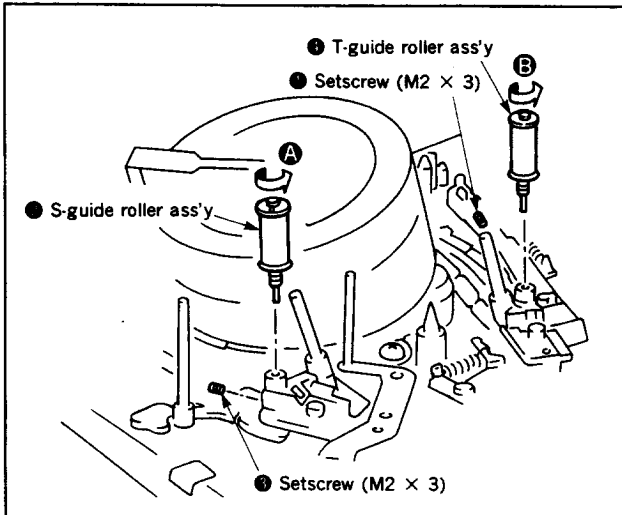


Fig. 3-19.

**3-14. REEL LOCK RELEASE AND REW GEAR  
(Fig. 3-20)**

- 1) Disengage the two claws ①, then remove the reel lock release ② along with the spring ③ (while the spring still attached).
- 2) Next, pull out the REW gear ④ with the spring bearing ⑤ still attached.

**[Precautions on remounting]**

- Make sure that the small thrust bearing ⑥ remain attached.
- Make sure that the two claws ① lock the reel lock release ② in place.
- Apply 1/2 drop of lubricant to the shaft ⑦.
- Make sure that the spring ③ adheres to the reel lock release ② and that it fits inside the rib of the REW gear ④.
- Mount the REW gear ④ by meshing it with gear ⑧.

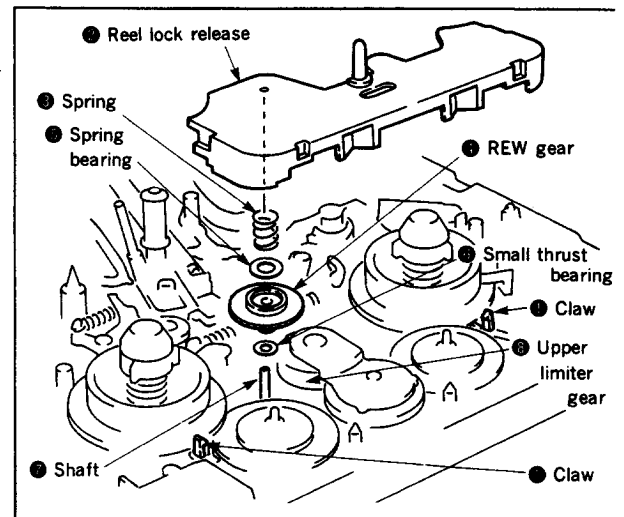


Fig. 3-20.

**3-15. TENSION REGULATOR ARM ASS'Y, TENSION REGULATOR BAND ASS'Y (Fig. 3-21)**

- 1) Remove the reel lock release ass'y. (Refer to Fig. 3-14.)
- 2) Disengage the three claws marked ① and the claw marked ②, then remove the tension regulator band ass'y ③.
- 3) Unhook the end of the spring ④ from the chassis.
- 4) Disengage the claw ⑤, then pull out the tension regulator arm ass'y ⑥.

**[Precautions on remounting]**

- Roll up the tension regulator band ③ on the S-reel by turning the S-soft brake arm ass'y ⑦ in the direction of the arrow.
- Hook the spring ④ at the center of the spring hook ⑧.
- Do not touch the brake shoe of the tension regulator band ass'y ③ directly with your fingers.
- Mount the tension regulator arm ass'y ⑥ at the position shown in Fig. A below.

**[Adjustment after replacement]**

- Check the back tension. (Refer to 4-1-1.)
- Perform tape path adjustments as described in 4-1.

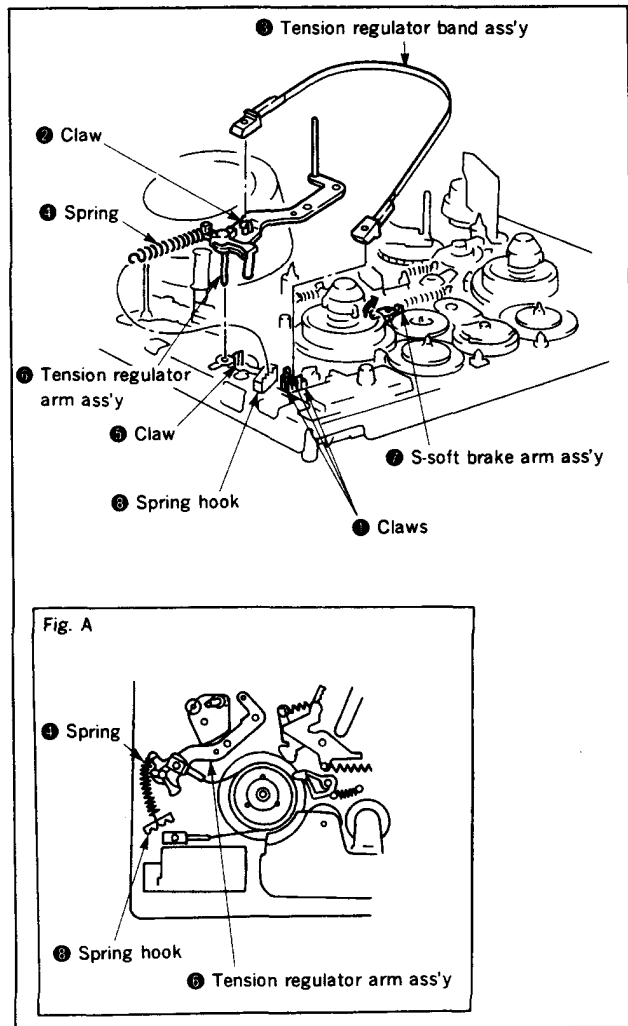


Fig. 3-21.

**3-16. S TAKE-UP ASS'Y (Fig. 3-22)**

- 1) Remove the tension regulator arm ass'y and the tension regulator band ass'y. (Refer to 3-15.)
- 2) Unhook the end of the spring ① from the S take-up arm ②.
- 3) Disengage the two claws ③, then remove the S take-up ass'y ④.

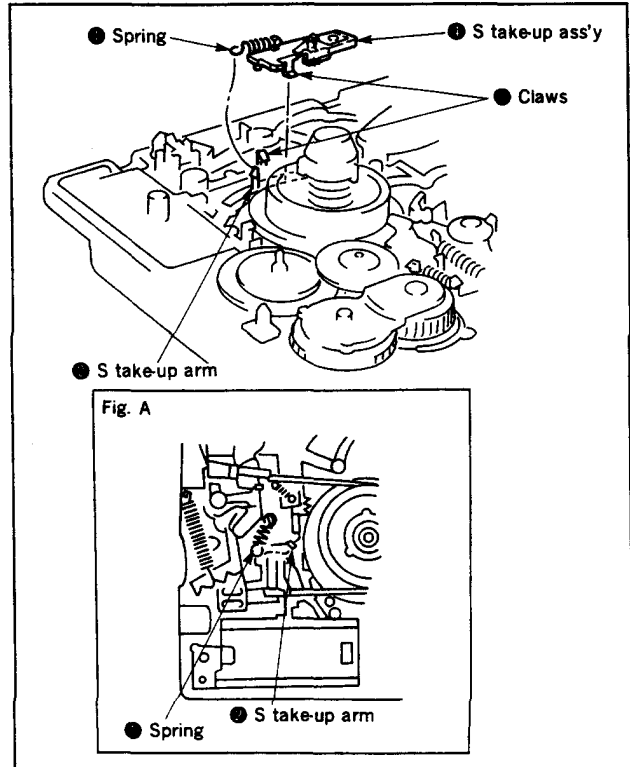


Fig. 3-22.

### 3-17. S-REEL ASS'Y (Fig. 3-23)

- 1) Remove the S-soft brake arm ass'y. (Refer to 3-12.)
- 2) Remove the reel lock release. (Refer to 3-14.)
- 3) Remove the tension regulator band ass'y. (Refer to 3-15.)
- 4) Turn the S-brake ass'y ① in the direction of the arrow.
- 5) Pull out the S-reel ass'y ②.

#### [Precautions on remounting]

- At least one reel stand thrust bearing ③ must be attached (but not more than two).
- Do not touch the outer edge of the S-reel ass'y ② directly with your fingers.
- Apply 1/2 drop of lubricant over the shaft ④.
- Mount the S-reel ass'y ② while meshing it with the relay gear ⑤.

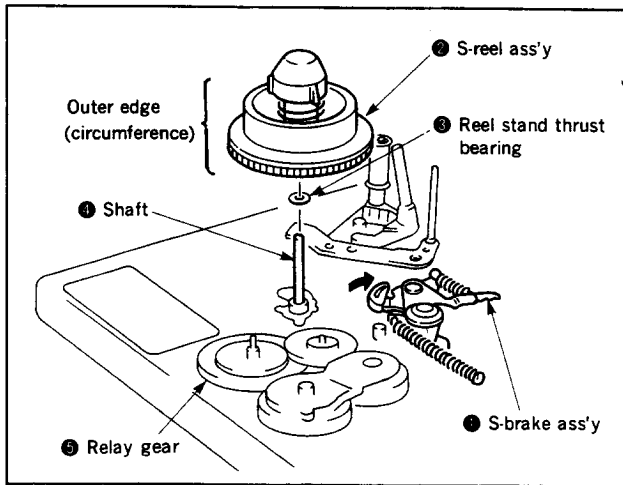


Fig. 3-23.

### 3-18. T-REEL ASS'Y (Fig. 3-24)

- 1) Remove the T-soft brake ass'y. (Refer to 3-11.)
- 2) Remove the reel lock release ass'y. (Refer to 3-14.)
- 3) Turn the T-brake ass'y ① in the direction of the arrow.
- 4) Pull out the T-reel ass'y ②.

#### [Precautions on remounting]

- At least one reel stand thrust bearing ③ must be attached (but not more than two).
- Do not touch the outer edge of the T-reel ass'y ② directly with your fingers.
- Apply 1/2 drop of lubricant on the shaft ④.
- Mount the T-reel ass'y ② while meshing it with the relay gear ⑤.

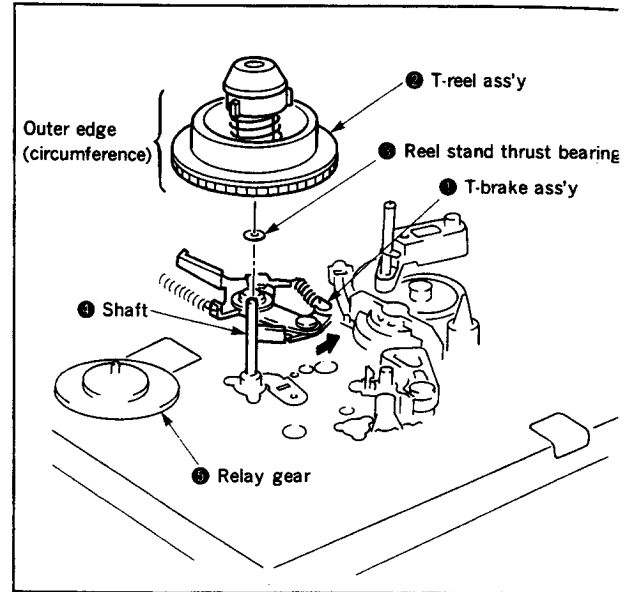


Fig. 3-24.

### 3-19. PENDULUM ARM ASS'Y (Fig. 3-25)

- 1) Remove the reel lock release ass'y. (Refer to 3-14.)
- 2) Remove the washer 2 ①, then pull out the pendulum arm ass'y ②.

#### [Precautions on remounting]

- Fit the boss on the pendulum cap ③ into the gap in the pendulum slide plate ④.
- The plastic slider ⑤ must be attached.
- Apply 1/2 drop of lubricant on the shaft ⑥.
- Mount the pendulum arm ass'y ② by meshing it with the upper limiter gear ⑦.

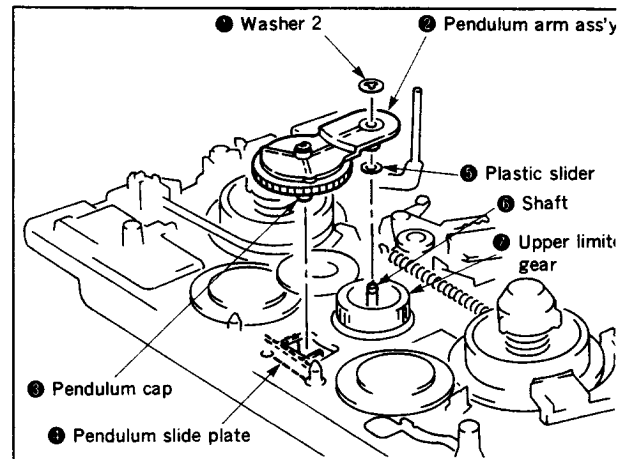


Fig. 3-25.



### 3-20. RELAY GEAR (Fig. 3-26)

- 1) Remove the reel lock release and REW gear. (Refer to 3-14.)
- 2) Remove the S-reel ass'y. (Refer to 3-17.)
- 3) Remove the T-reel ass'y. (Refer to 3-18.)
- 4) Pull out the two relay gears ①.

#### [Precautions on remounting]

- The relay gears ① must rotate smoothly after remounting.
- Apply 1/2 drop of lubricant to the respective shafts ②.

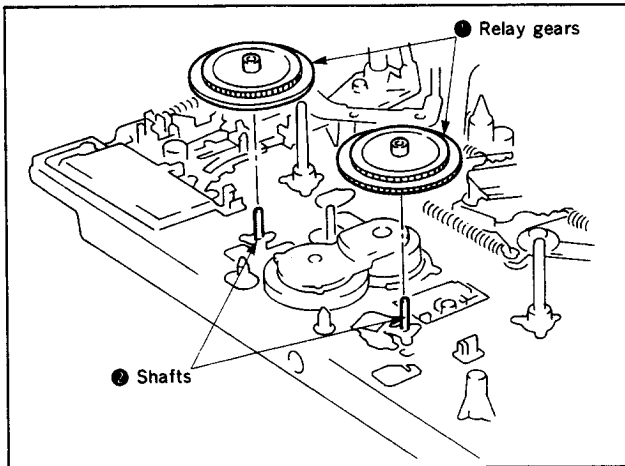


Fig. 3-26.

### 3-21. ADJUSTER ARM ASS'Y (Fig. 3-27)

- 1) Remove screw ①.
- 2) Remove washer ⑥.
- 3) Remove the end of the spring ② hooked to the chassis.
- 4) Remove the end of the timing belt ③ from the capstan motor arm ass'y.
- 5) Disengage the claw ④, then remove the adjuster arm ass'y.

#### [Precautions on remounting]

- First mount the adjuster arm ass'y ⑤, timing belt ③ and spring ②, then attach the washer ⑥ and fasten the screw ①.
- The screw fastening torque must be within 5kg·cm ( $\pm 1\text{kg}\cdot\text{cm}$ ).

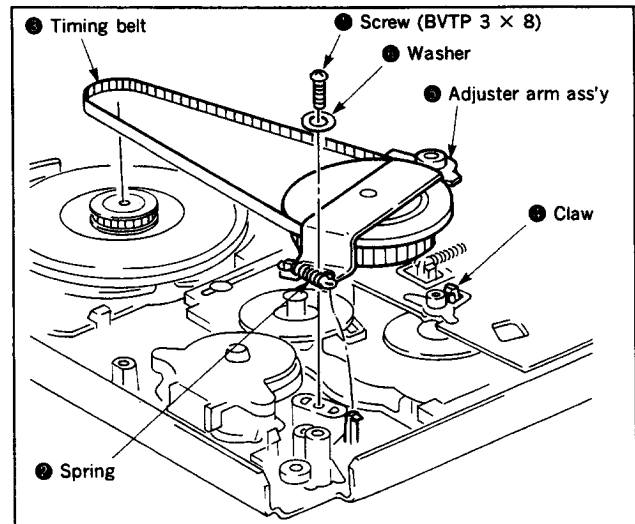


Fig. 3-27.

### 3-22. CAP BRAKE ASS'Y (Fig. 3-28)

- 1) Loosen the screw ①, then push the timing belt ② in the direction of the arrow.
- 2) Unhook the end of the spring ③ from the chassis.
- 3) Disengage claw ④, then pull out CAP brake ass'y ⑤.

#### [Precautions on remounting]

- Do not touch the brake shoe of the CAP brake ass'y ⑤ directly with your fingers.

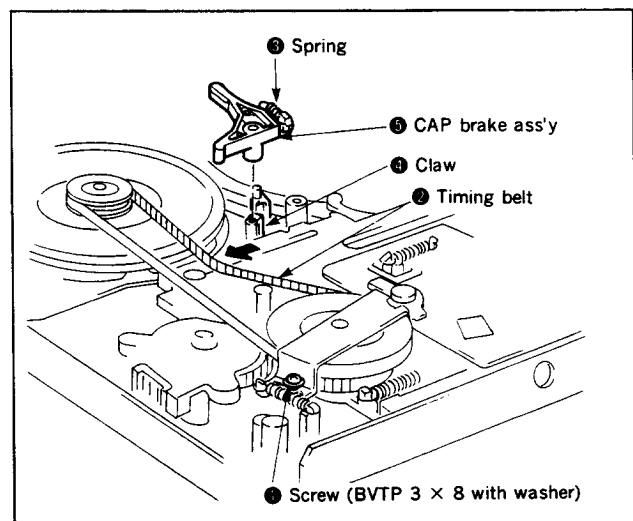


Fig. 3-28.

### 3-23. CAPSTAN MOTOR (Fig. 3-29)

- 1) Turn the ACE ass'y ① in the direction of arrow A as shown in Fig. A below, then remove three screws ②.
- 2) Remove screw ③, then remove the rotor clamp ④.
- 3) Turn the CAP brake ass'y ⑤ in the direction of arrow B, then pull out the capstan motor ⑥.

#### [Precautions on remounting]

- Clean the section of the capstan motor ⑥ where the tape is attached.
- Do not touch the brake shoe of the CAP brake ass'y ⑤ directly with your fingers.
- Of the three screws ②, first fasten screw A temporarily, then fasten screws B and C firmly, followed by screw A.
- The screw fastening torque must be within  $3\text{kg}\cdot\text{cm} \pm 1\text{kg}\cdot\text{cm}$ .

#### [Adjustments after mounting]

- Perform tape path adjustments as described in 4-1.

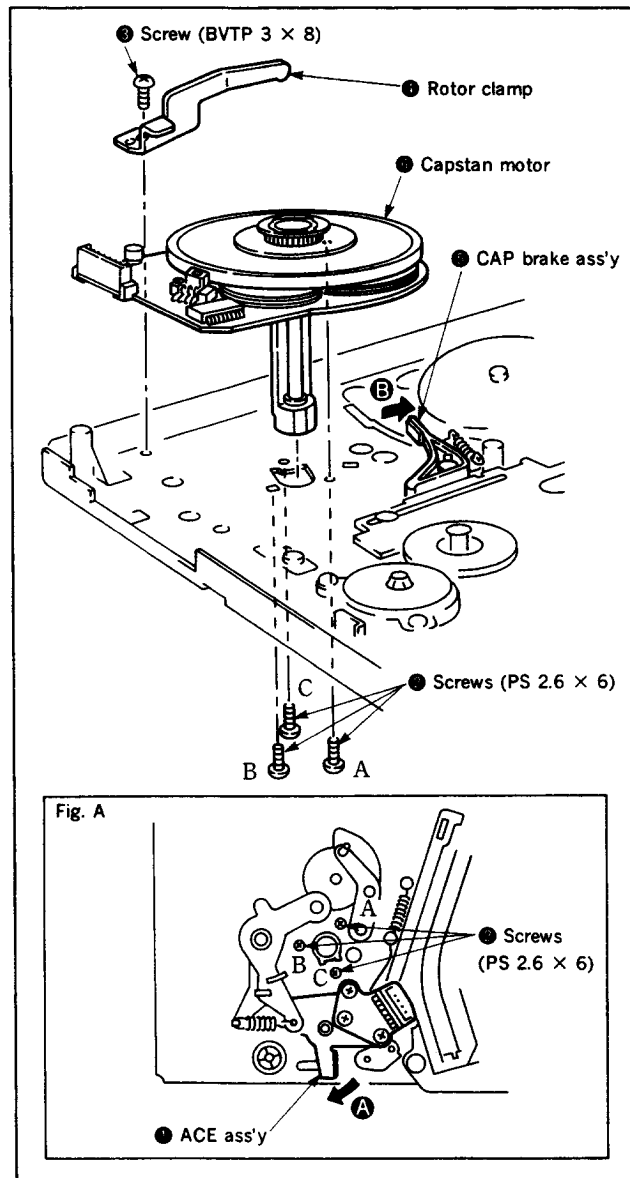


Fig. 3-29.

### 3-24. ROTARY SWITCH (Fig. 3-30)

- 1) Remove the adjuster arm ass'y. (Refer to 3-21.)
- 2) Remove the screws ① and ②, then pull out the rotary switch ③.

#### [Precautions on remounting]

- Match up the ● mark on the rotary switch ③ with the mark on the RKB cam gear ④ as shown in Fig. A.
- Match up holes ⑤ on the pendulum arm ⑥ and the chassis.

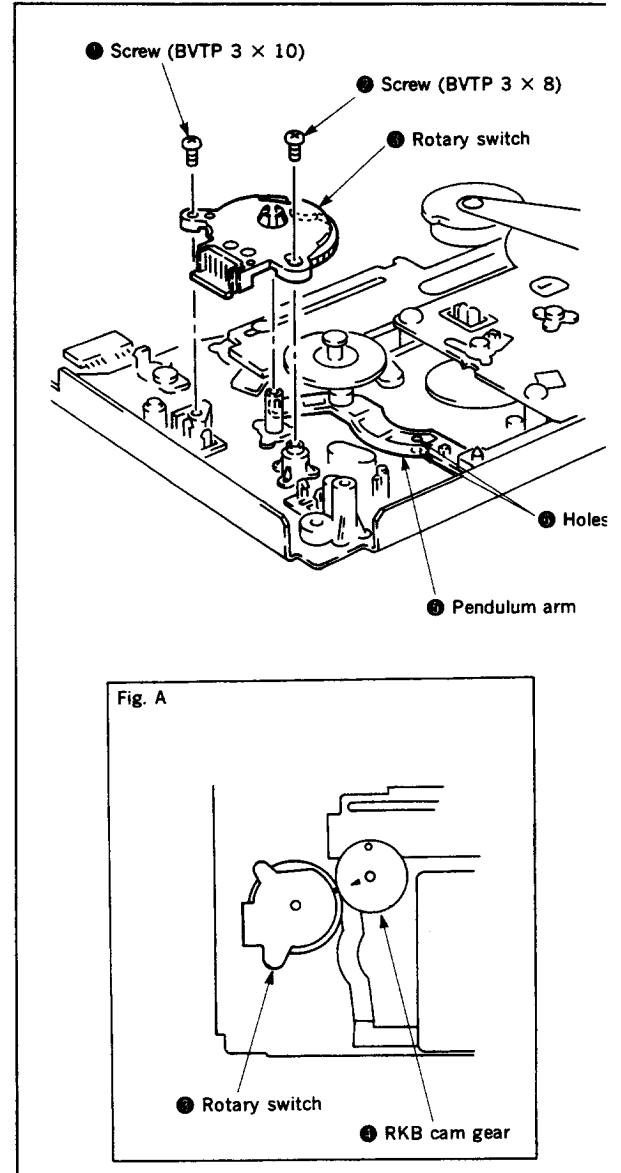


Fig. 3-30.

### 3-25. RKB CAM GEAR (Fig. 3-31)

- 1) Remove the adjuster arm ass'y. (Refer to 3-22.)
- 2) Remove washer 2 ①, then pull out the RKB cam gear ②.

#### [Precautions on remounting]

- When the limiter arm ③ is pushed in the direction of the arrow, the pin must fit into the notch on the RKB cam gear ②.
- The ■ mark on rotary switch ⑤ must match up with the ◀ mark on the RKB cam gear ② as shown in Fig. A.
- Apply 1/2 drop of lubricant to shaft ⑥.
- Match up the holes ④ on the RKB cam gear ② and the mode slide plate.

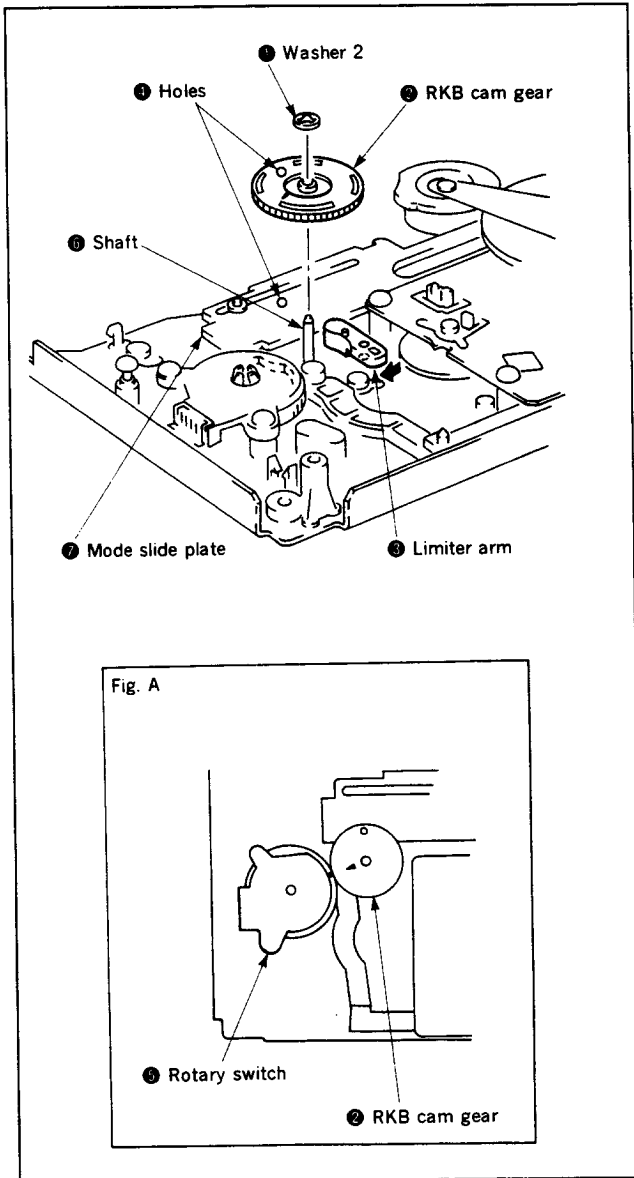


Fig. 3-31.

### 3-26. SUB-CHASSIS ASS'Y (Fig. 3-32)

- 1) Remove the reel lock release arm and REW gear. (Refer to 3-15.)
- 2) Remove the pendulum arm ass'y. (Refer to 3-19.)
- 3) Remove the adjuster arm ass'y. (Refer to 3-22.)
- 4) Remove the three screws ①, then remove sub-chassis ass'y ②.

#### [Precautions on remounting]

- The switching arm ③ must be switched in the direction of the arrow.
- The screws must be fastened in order of a, b and c.
- Mount the sub-chassis carefully so as not to damage the gear.
- The corner edge of the lug terminal ④ must fit into the gap between the chassis ass'y ② and mechanism chassis.

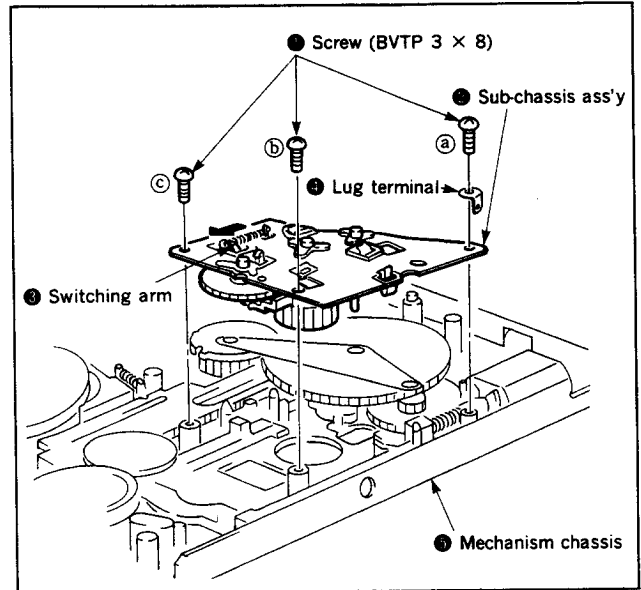


Fig. 3-32.

**3-27. PENDULUM SLIDE PLATE, PENDULUM ARM  
(Fig. 3-33)**

- 1) Remove the rotary switch. (Refer to 3-24.)
- 2) Remove the RKB cam gear. (Refer to 3-25.)
- 3) Remove the sub-chassis ass'y. (Refer to 3-26.)
- 4) Disengage the two claws ①, then pull out the pendulum slide plate ②.
- 5) Unhook the spring ③.
- 6) Disengage the claw ④, then pull out pendulum arm ⑤.

**[Precautions on remounting]**

- The shaft ⑥ must fit into hole ⑦.

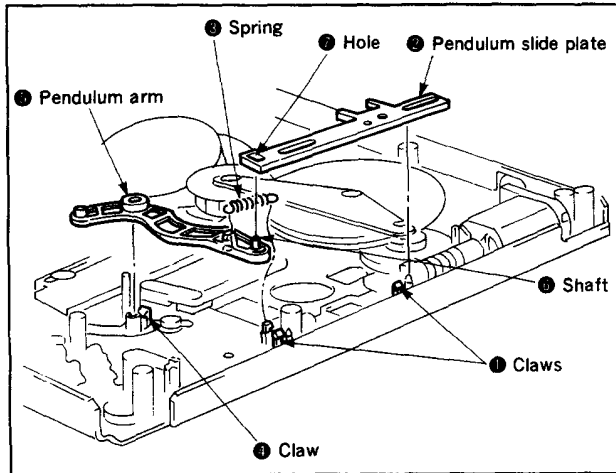


Fig. 3-33.

**3-28. THE LIMITER ARM AND LIMITER SLIDE PLATE  
(Fig. 3-24)**

- 1) Remove the RKB cam gear. (Refer to 3-25.)
- 2) Remove the sub-chassis. (Refer to Fig. 3-26.)
- 3) Disengage the claw ①, then pull out the limiter arm ②.
- 4) Disengage the two claws ③, then pull out the limiter slide plate ④.

**[Precautions on remounting]**

- The shaft ⑤ must fit into the hole ⑥.

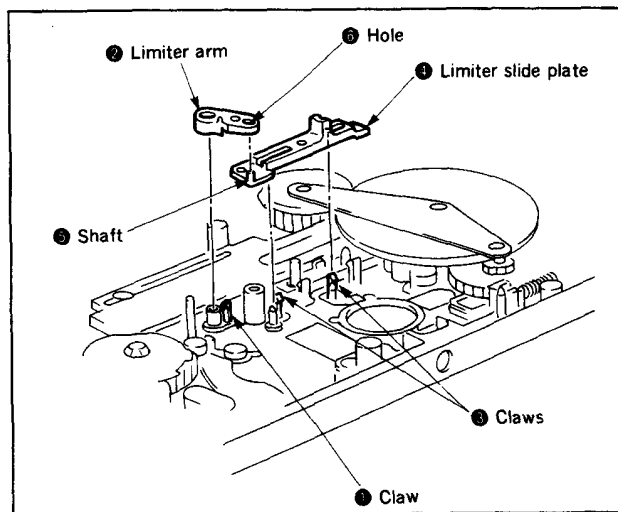


Fig. 3-34.

**3-29. CAM MOTOR (Fig. 3-35)**

- 1) Remove the sub-chassis ass'y. (Refer to 3-26.)
- 2) Disengage the six claws ①, then remove the cam motor ② and worm gear ③.

**[Precautions on remounting]**

- Check the meshing of cam motor ② and worm gear ③.

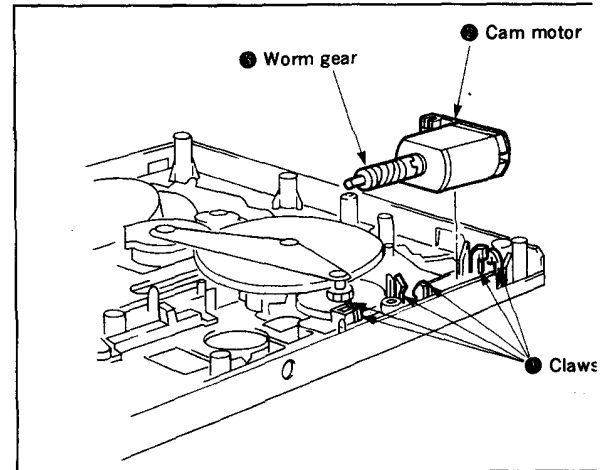


Fig. 3-35.

**3-30. CAM GEAR (Fig. 3-36)**

- 1) Remove the three washers 2 ①, then pull out the cam gear holder ②.
- 2) Pull out the cam gear ③.

**[Precautions on remounting]**

- Match up the right loading gear ass'y, the tension regulator arm, the S take-up arm, the work wheel, the brake and the mode slide plate with respective holes ④ to ⑨ the chassis in that order.
- Match up the hole ⑩ on the mode slide plate with the hole ⑪ in cam gear ③.
- Apply 1/2 drop of lubricant to the shaft ⑫.

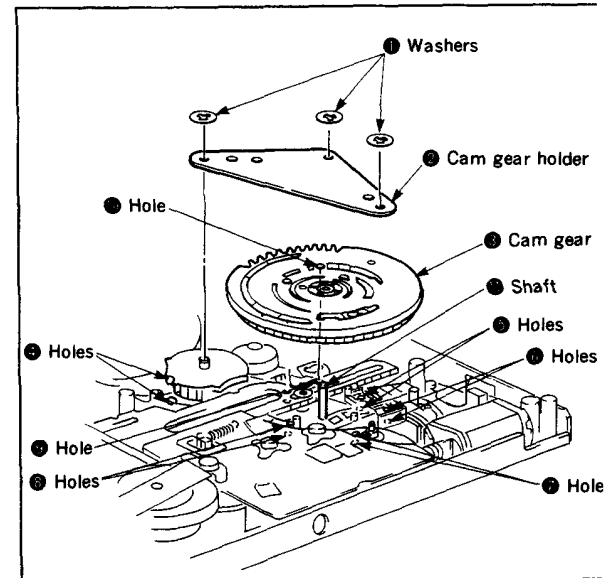


Fig. 3-36.

**3-31. TENSION REGULATOR ARM, S TAKE-UP ARM (Fig. 3-37)**

- 1) Remove the cam gear. (Refer to 3-30)
- 2) Disengage the claw ①, then remove the tension regulator arm ②.
- 3) Remove the end of the spring ③ from the S take-up arm ④.
- 4) Disengage the claw ⑤, then pull out S take-up arm ④.

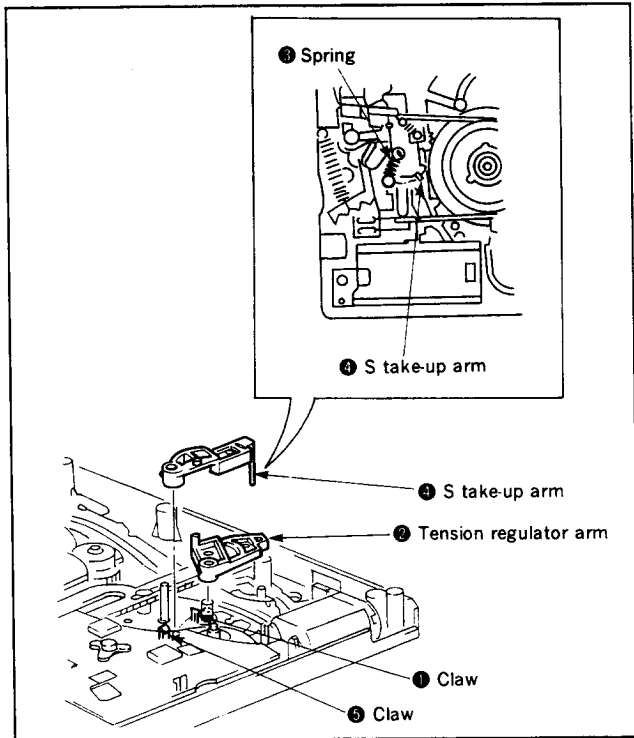


Fig. 3-37.

**3-32. MODE SLIDE PLATE, RVS RELAY GEAR (Fig. 3-38)**

- 1) Remove the RKB cam gear. (Refer to 3-25.)
- 2) Remove the cam gear. (Refer to 3-30.)
- 3) Remove the two washers 2 ①.
- 4) Turn the CAP brake ② in the direction of the arrow, then pull out mode slide plate ③.
- 5) Pull out the RVS relay gear ④.

**[Precautions on remounting]**

- Match up the hole ⑤ on the RVS relay gear ④ with hole ⑤ in the chassis.
- Match up the holes ⑥ on the mode slide plate ③ with holes ⑥ in the chassis.
- Apply 1/2 drop of lubricant to the shaft ⑦.

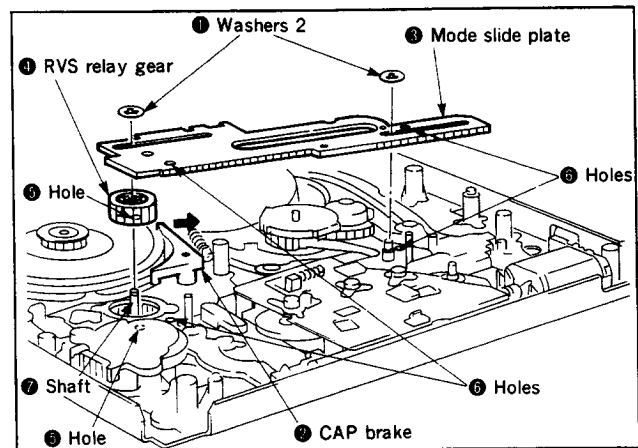


Fig. 3-38.

**3-33. BRAKE ARM, BRAKE SLIDE PLATE (Fig. 3-39)**

- 1) Remove the sub-chassis. (Refer to 3-26.)
- 2) Remove the cam gear. (Refer to 3-30.)
- 3) Disengage the claw ①, then pull out the brake arm ②.
- 4) Disengage the two claws ③, then pull out the brake slide plate ④.

**[Precautions on remounting]**

- Insert the shaft ⑤ into hole ⑥.

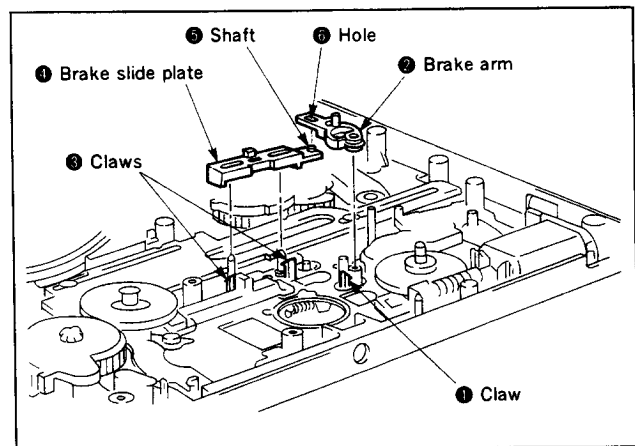


Fig. 3-39.

**3-34. RIGHT SHUTTLE, RIGHT LOADING GEAR ASS'Y'S (Fig. 3-40)**

- 1) Remove the mode slide plate. (Refer to 3-32.)
- 2) Remove the plastic slider ❶, then pull out the right shuttle ass'y ❷.
- 3) Pull out the right loading gear ass'y ❸.

**[Precautions on remounting]**

- Match up the ▲ mark on the right loading gear ass'y ❸ with the ▲ mark on the left loading gear ass'y ❹ as shown in Fig. A below.
- Apply 1/2 drop of lubricant to the shaft ❺.
- Do not hold on to the arm when pressing on the right loading gear ❸.
- Clean the section of the right shuttle ass'y ❷ where the tape is attached.

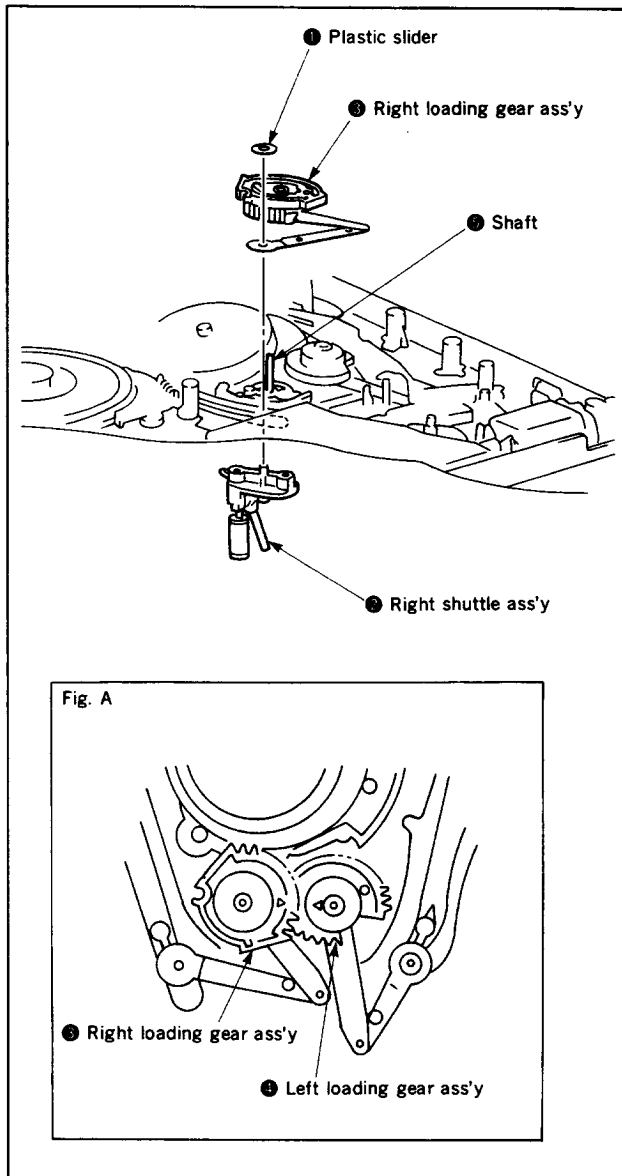


Fig. 3-40.

**3-35. LEFT SHUTTLE ASS'Y, LEFT LOADING GEAR ASS'Y (Fig. 3-41)**

- 1) Remove the right shuttle ass'y and right loading gear ass'y. (Refer to 3-34.)
- 2) Remove the plastic slider ❶, then pull out the left shuttle ass'y ❷.
- 3) Remove washer 2 ❸, then pull out the left loading gear ass'y ❹.

**[Precautions on remounting]**

- Apply 1/2 drop of lubricant to shaft ❺.
- The tension regulator arm ass'y ❻ and left shuttle ass'y must be positioned as shown in Fig. A below.
- Do not hold on to the arm of the left loading gear ass'y when the left loading gear ass'y ❹ is pressed.
- Clean the section of the felt shuttle ass'y ❷ where the tape is attached.

**[Adjustments after replacement]**

- Perform tape path adjustments as described in 4-1.

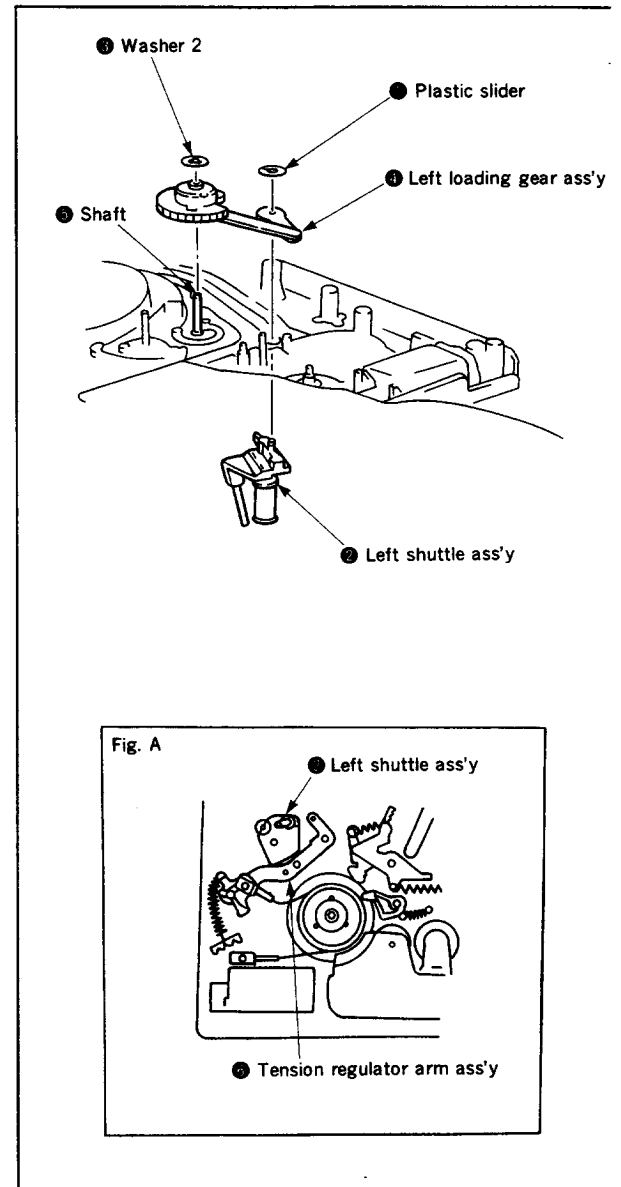


Fig. 3-41.

**3-36. C-ROLLER ARM ASS'Y, C-ROLLER RELEASE LEVER (Fig. 3-42)**

- 1) Disengage the claw ①, then pull out the C-roller arm ass'y ②.
- 2) Unhook the end of the spring ③ from the chassis.
- 3) Disengage the two claws ④, then pull out the C-roller release lever ⑤.

**[Precautions on remounting]**

- Mount C-roller arm ass'y ② so that the hole ⑥ on the C-roller arm ass'y ② fits into the boss ⑦ on the C-roller release lever ⑤.

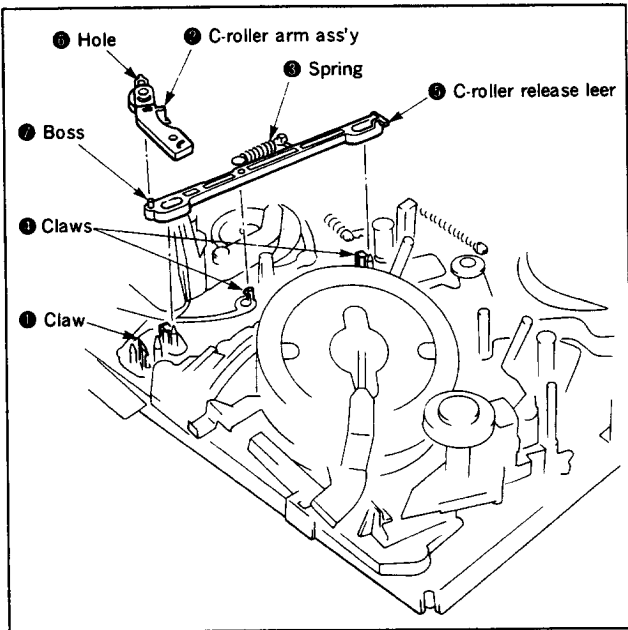


Fig. 3-42.

## 4. ADJUSTMENT

### 4-1. TAPE PATH ADJUSTMENT

The "Tape path" refers to the route of the tape from the supply reel disk to the take-up reel disc via the video heads. Each component part of the tape transport system, particularly the surface of parts which make direct contact with the tape must always be kept clean, free of dust, oil, scratches and so forth.

The tape path system is factory preadjusted. when parts of the tape transport system are replaced, be sure to make the required adjustments as precisely as possible in order to ensure stable tape transport.

#### 4-1-1. Tension regulator position/tension adjustment (Fig. 4-1.)

**Purpose:** Stabilizes contact of the video head and the tape to maintain the tension of the tape so that it feeds at a constant level.

##### ● Position adjustment

Mode	Threading is completed without a cassette loaded. (Refer to section 1-2.)
Adjustment locations	Tension band holder

##### [Adjustment method]

- 1) Allow the unit to go through the threading procedure without a cassette loaded.
- 2) Set the VTR unit to playback, then turn the tension band adjuster lever so that the gap between guide No. 0 and tension arm is within  $4.5 \pm 0.4\text{mm}$ . \*(Set the unit to playback without a cassette loaded.)
- 3) After adjustment, go through the loading procedure once more without a cassette loaded, then check the position of the tension arm.

##### ● Tension adjustment

Mode	Playback
Measuring instrument/tool	Torque cassette
Adjustment locations	Position for hooking the tension spring
Specification	28 to 34 g·cm

##### [Adjustment method]

- 1) Playback the torque cassette.
- 2) Check that the center value deviation reading on torque cassette meets with the standards.
- 3) When the reading is higher than the standards: Move the spring toward direction **A**.  
When the reading is less than the standards: Move spring toward direction **B**.

**Note:** Move the spring to the tension spring hook position and recheck the tension arm position. If the position is misaligned, adjust the position and tension of the tension arm.

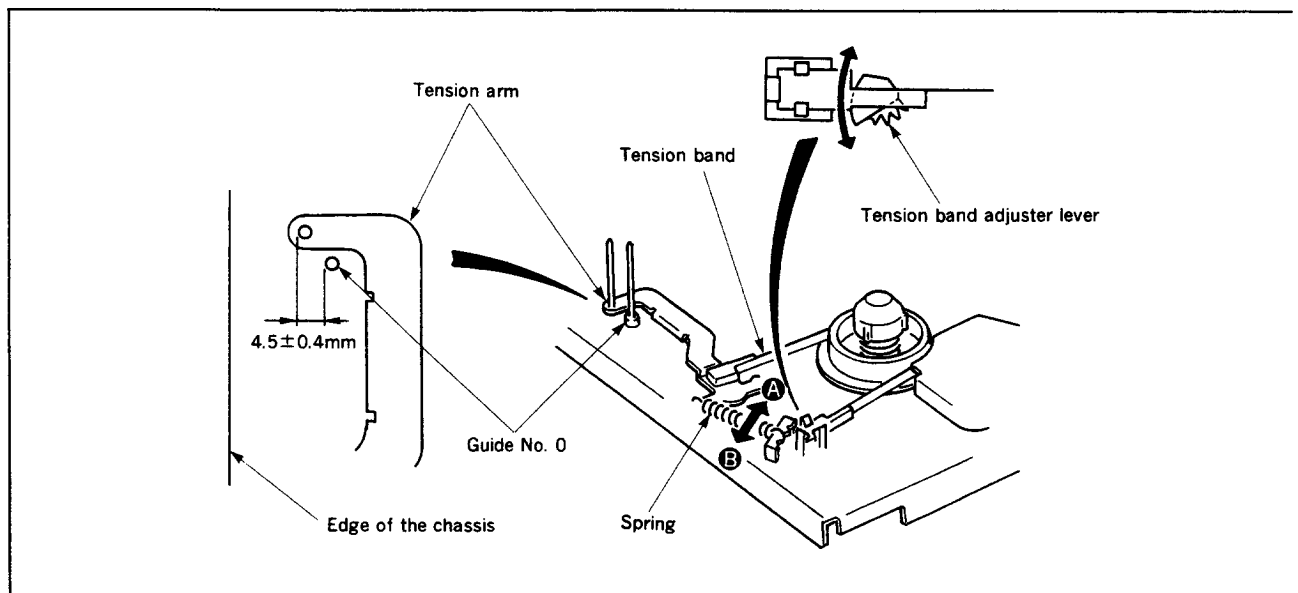


Fig. 4-1.



**4-1-2. Height adjustment of the guide roller No. 2 (Fig. 4-2)**

Mode	Playback
Tool	Blank tape
Adjustment locations	Guide roller height adjuster screw

**[Adjustment method]**

- 1) Load a new tape in the unit, then play it back.
- 2) Make sure that the lower flange of guide roller No. 2 does not curl up.
- 3) When the tape curls up: Turn the guide roller adjuster screw clockwise.  
When the tape does not fit into the lower flange: Turn the guide roller adjuster screw counter-clockwise.
- 4) After the above check, separate the tension arm from the tape, then re-attach it slowly. At this time, check if the tape curls up at the lower flange of the guide roller No. 2 and if the curl disappears within 2 seconds.
- 5) If curl does not disappear in two seconds: Turn the adjuster screw clockwise.  
If the tape does not curl up: Turn the adjuster screw counter-clockwise.

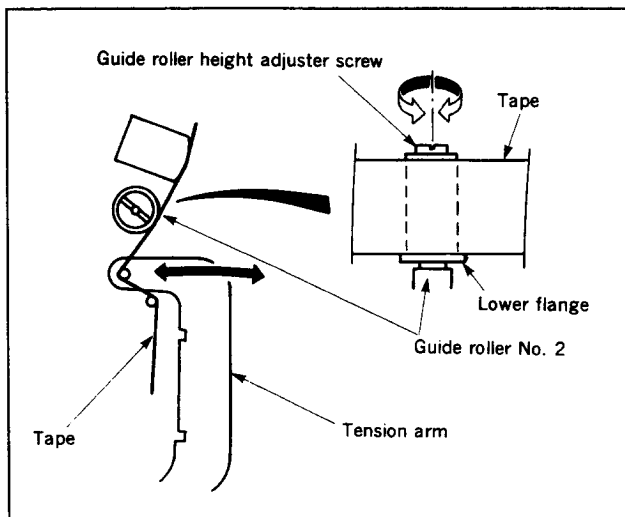


Fig. 4-2.

**4-1-3. Height adjustment of guide roller No. 7 and the RVS arm (Fig. 4-3.)**

Mode	Playback
Tool	Blank tape
Adjustment locations	Height adjuster nut

**[Adjustment method]**

- 1) Load the tape into the VTR and play it back, then adjust the height of the guide roller No. 7 so that the tape runs along the lower flange of guide roller No. 7.
- 2) If the guide roller is too low: Turn the height adjuster nut counter-clockwise.  
If the guide roller is too high: Turn the height adjuster nut clockwise.
- 3) Run the tape in REV, then adjust the height of the RVS arm so that the tape runs along guide roller No. 7.
- 4) If the tape gets caught in the upper flange of guide roller No. 7: Turn the RVS arm height adjuster nut clockwise.
- 5) If the tape catches on the lower flange of guide roller No. 7: Turn the RVS arm height adjuster nut counter-clockwise.

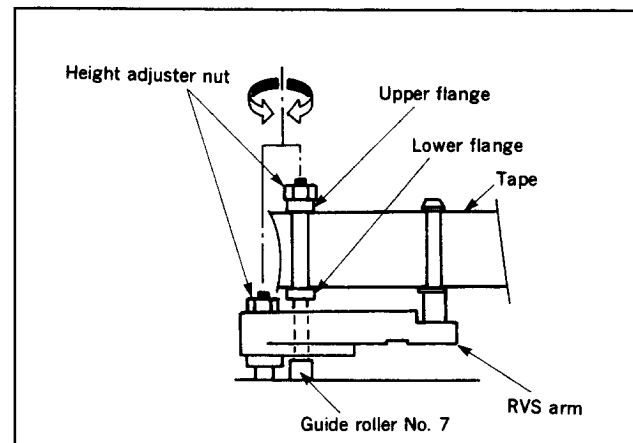


Fig. 4-3.

**4-1-4. Height adjustment of guide rollers  
No. 3 and No. 6 (Fig. 4-4)**

Mode	Playback
Signal	Hi-Fi alignment tape (Hi-Fi 400Hz)
Measuring instrument	Oscilloscope
Measuring point	CH-1: Connector PB RF pin for RF PC board check. CH-2: Connector RF SW P pin for RF PC board check.
Adjustment locations	Guide roller height adjuster screw.

**[Adjustment method]**

- 1) Tracking (playback): Turn off the auto tracking, then press the tracking buttons  $\nabla$  and  $\Delta$  simultaneously to set the tracking at the center position.  
(If adjustment is made after the drum is replaced, the tracking must be set at the max. Rf output position.)
- 2) Height adjuster screw: Even out the RF output waveforms.
- 3) Press the tracking buttons (playback),  $\nabla$  and  $\Delta$  alternately.
- 4) Check that RF output drops the same amount at the front and rear edges.

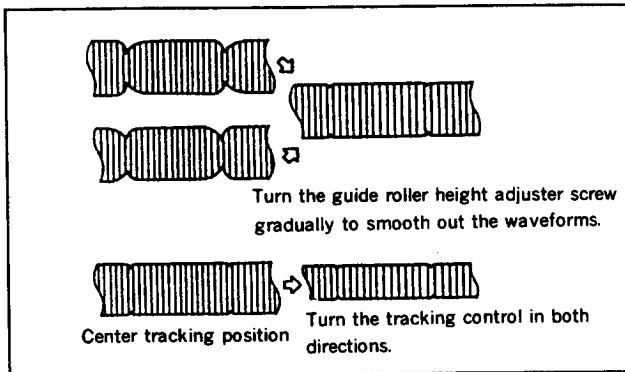


Fig. 4-4.

**4-1-5. ACE head ass'y adjustment  
(rough adjustment) (Figs. 4-5 and 4-6)**

**Purpose:** Allows the tape to make even contact with the head for recording and playback of the specific track.

Mode	Playback
Tool	Blank tape
Adjustment locations	Height adjuster nut, tilt adjuster screw

**[Adjustment method]**

- 1) Mount the ACE head ass'y. At this time, adjust the height so that the height of guide flange No. 7 matches the level of the lower edge of the control head.
- 2) Remove the adjustment tool and load a new tape, then set the unit for playback.
- 3) Check that the tape does not curl or raise up noticeably near the ACE head.
- 4) If the tape curls up or rises noticeably, readjust the tilt adjuster screw, the azimuth adjuster screw and the height adjuster nut.  
(The height of the ACE head should be adjusted so that the lower edge of the tape is approx. 0.1 to 0.15 mm from the control head.)
- 5) Perform precision adjustment.

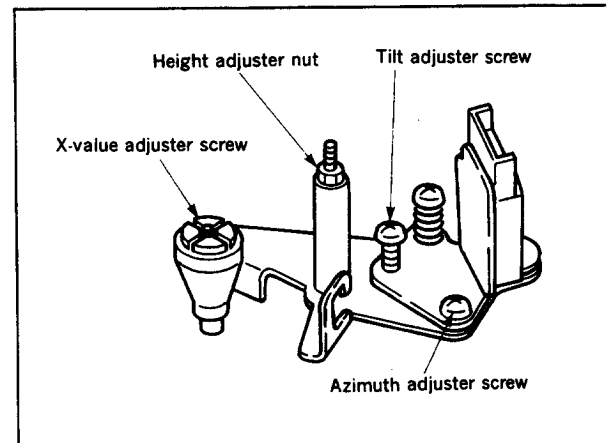


Fig. 4-5.

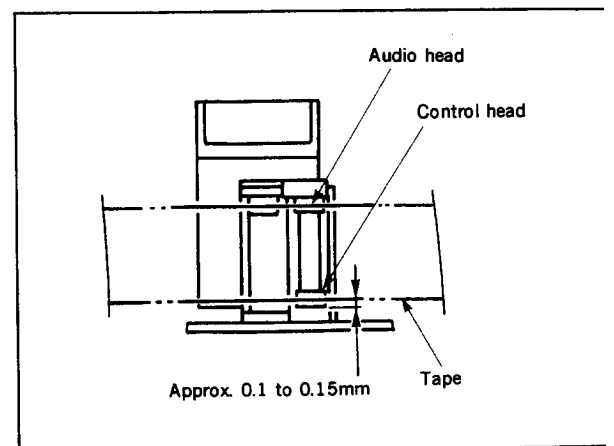


Fig. 4-6.

#### 4-1-6. ACE head assembly adjustment (precision adjustment)

Mode	Playback
Signal	Alignment tape (JVC-MH-1 1KHz)
Measuring instrument	Oscilloscope
Measuring point	Audio output terminal
Adjustment locations	Azimuth adjuster screw Height adjuster nut Tilt adjuster screw

##### [Adjustment method]

- 1) Adjust the tilt adjuster screw in the FWD or REV mode so that the lower flange of guide No. 7 does not curl up or raise.
- 2) Alternately adjust the azimuth adjuster screw, the height adjuster nut, and the tilt adjuster screw to maintain even audio output at maximum with minimum deviation.

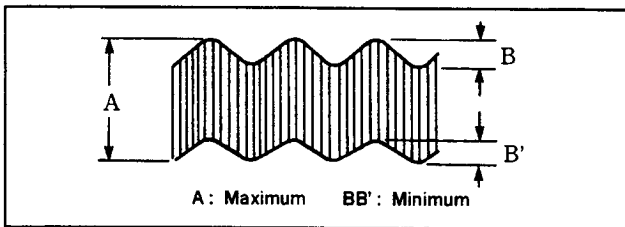


Fig. 4-7.

#### 4-1-7. X-value adjustment

**Purpose :** To obtain compatibility with other VTR.

**Precaution :** Be sure to perform the preset tracking adjustment before perform this adjustment. (Refer to the Service Guide.)

Turn off the auto tracking and set the VTR for manual tracking mode.

Mode	Playbak
Signal	Hi-Fi alignment tape (Hi-Fi 400Hz), alignment tape (JVC-MH-1)
Measuring instrument	Oscilloscope
Measuring point	CH-1 : Connector PB RF pin for RF PC board check. CH-2 : Connector RF SW P pin for RF PC board check. (Check with the CHA head)
Adjustment locations	X-value adjuster screw

##### [Adjustment method]

##### ● Adjustment by Hi-Fi alignment tape

When the tracking is set at the center position (by pressing the  $\nabla$  and  $\Delta$  keys simultaneously), adjust the RF output to maximum.

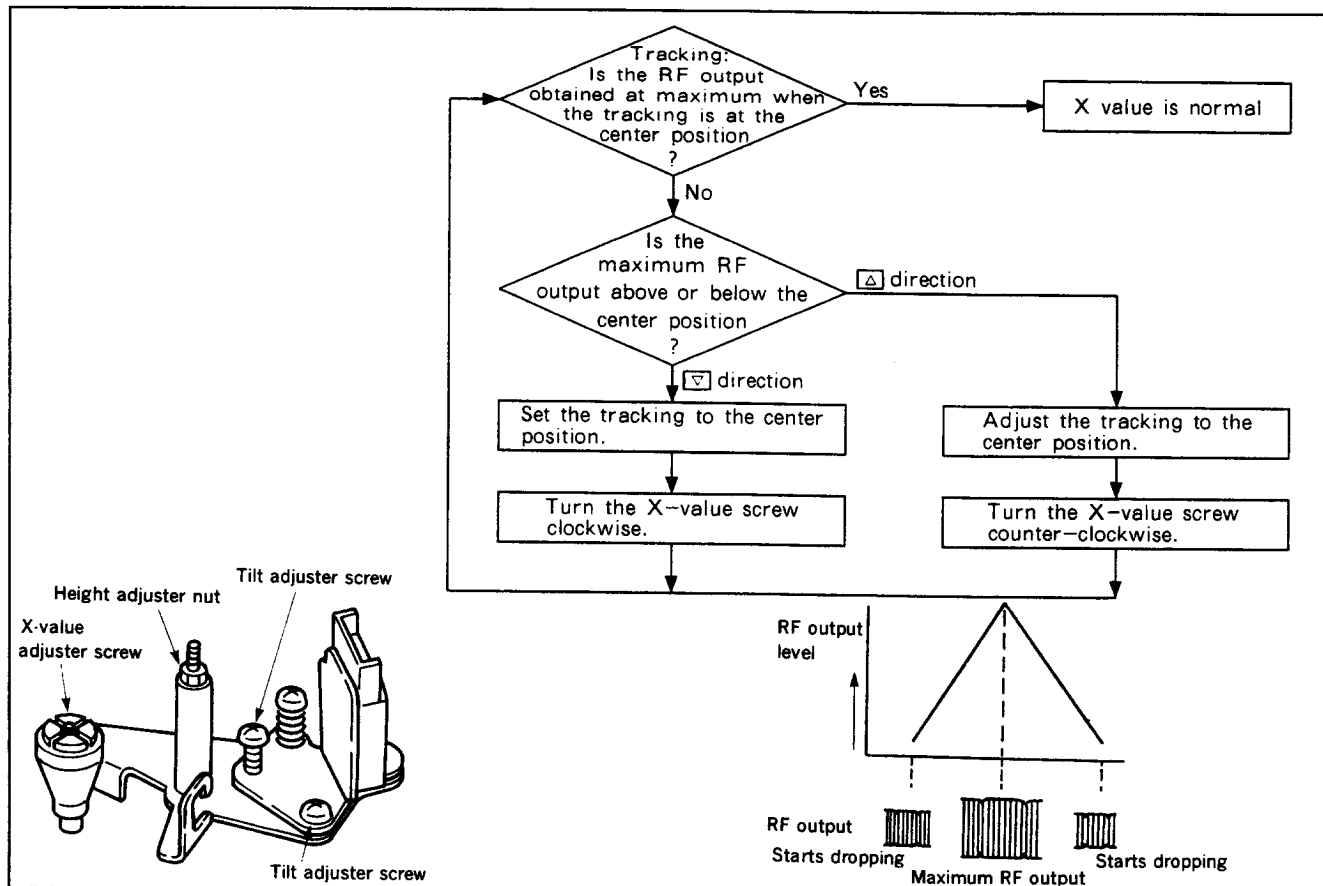


Fig. 4-8.  
-27-

● **Adjustment by Alignment tape (JVC-MH-1)**

Adjust the X-value adjuster screw so that maximum RF

output is obtained and also that the RF output drops the same position on pressing the respective  $\nabla$  and  $\Delta$  buttons while the tracking is set at the center position

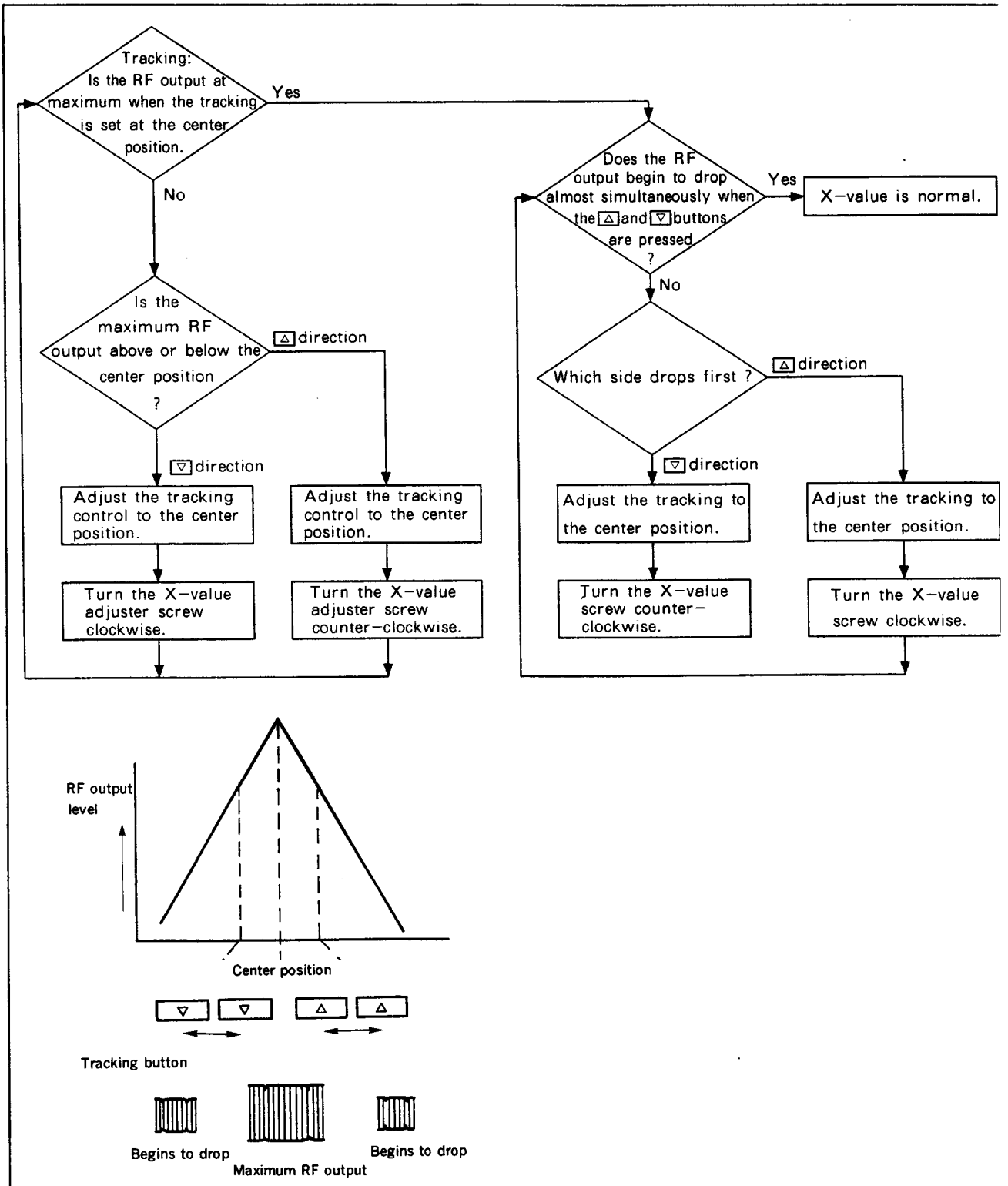


Fig. 4-9.

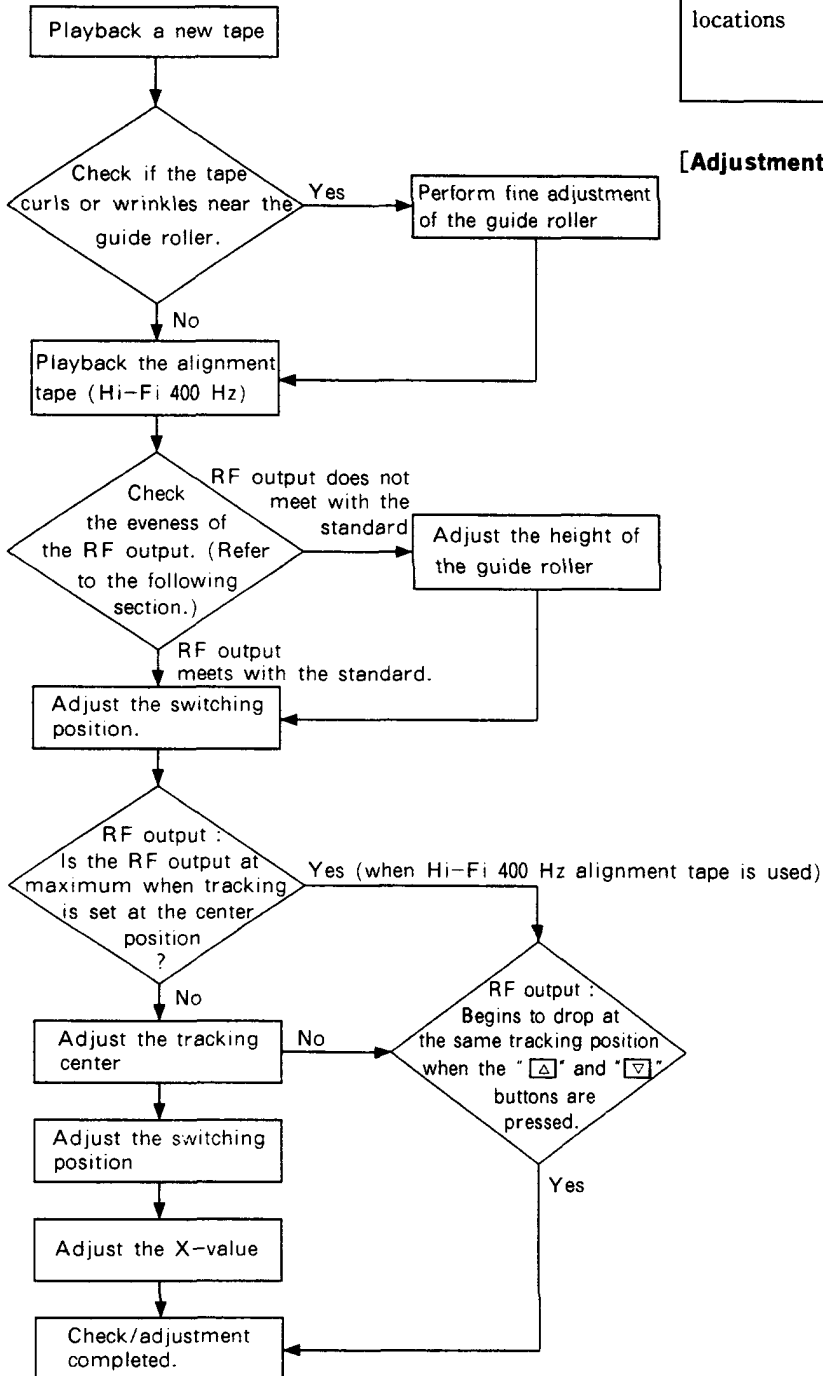
#### 4-1-8. Adjustments after replacing the drum (video head)

**Purpose :** Co-relative height, X-value and other factors of the drum will deviate from those of the guide roller. If the drum is replaced properly, these deviations are extremely small.

**Precaution :** Turn off the auto tracking and set the manual tracking mode.

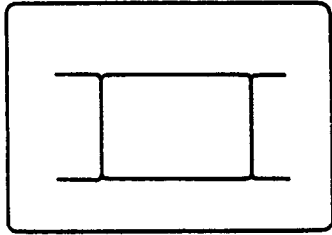
Mode	Playback
Signal	Alignment tape (JVC-MH-1), blank tape
Measuring instrument	Oscilloscope
Measuring point	CH-1: Connector PB RF pin for RF PC board check. CH-2: Connector RF SW P pin for RF PC board check.
Adjustment locations	Guide roller (refer to 4-1-5.) Switching position, Tracking preset, SP delay mono-multi, X-value (refer to 4-1-8) } (Refer to the Service Guide)

#### [Adjustment method ]

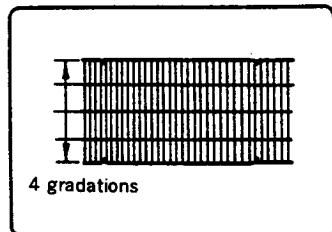


**[Checking the evenness and fluctuation of the RF output]**

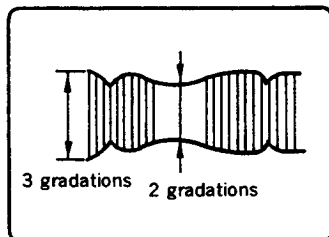
- 1) Set the RF output to the maximum level using the tracking buttons.



- 2) Perform fine adjustment of the voltage level range of the oscilloscope, then adjust the RF output deviation to within 4 gradations.



- 3) Press the tracking buttons and adjust the maximum amplitude of the RF output to within 3 gradations.
- 4) At this time, check if the minimum amplitude is more than 2 gradations.



- 5) Check that the RF output fluctuation between minimum and maximum levels is within 13%.

#### 4-1-9. Checking the tension and torque

**Purpose:** To check that the tension, torque and compression force of the tape take-up section and mobile sections to ensure smooth tape run and achieve standard VTR performance.

If the tape transport is not smooth or problems occur in relation to the tape transport speed, perform the following check.

Mode	Each operation mode without loading a cassette tape. (Refer to section 1-3.)
Measuring instrument	Torque gauge, Torque gauge adapter

Item	VTR operation mode	Reel to be measured	Measurement value
Main brake torque	Stop	Supply and take-up reels	170g·cm or more
Review torque	Review	Supply reel	180±30g·cm (using the torque cassette)
Take-up torque	Playback	Take-up reel	80 to 140g·cm (using torque cassette)
Back tension torque	Rewind	Take-up reel	4 to 25 g·cm

**[Check method]**

Measure the torque using the torque gauge and torque gauge adaptor with the torque gauge fixed.

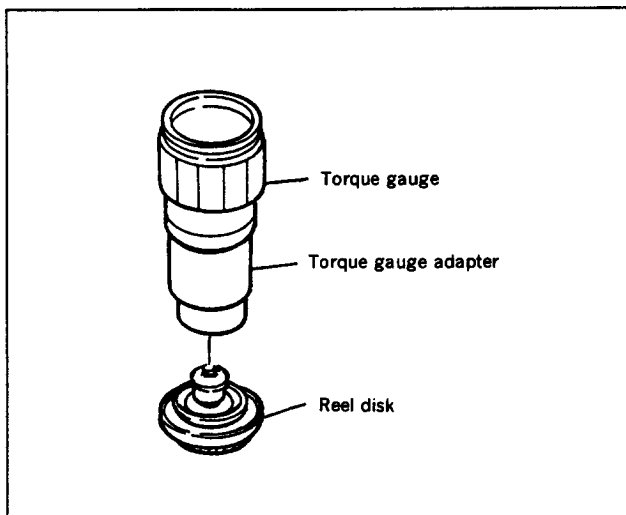


Fig. 4-13.